

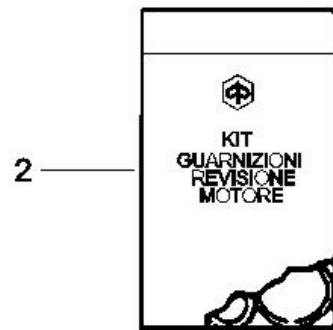
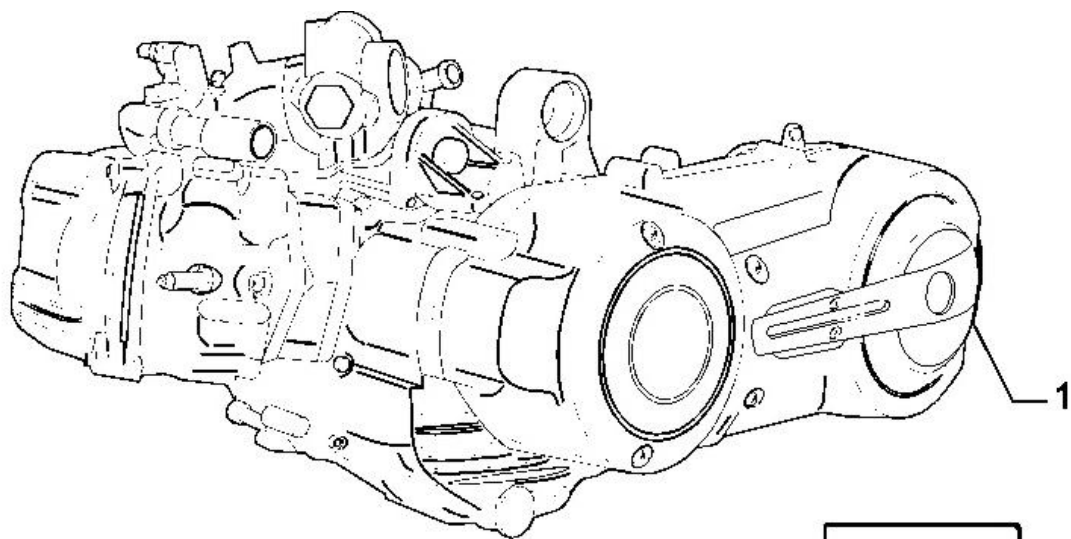
BR-500 OUTLOOK PARTS



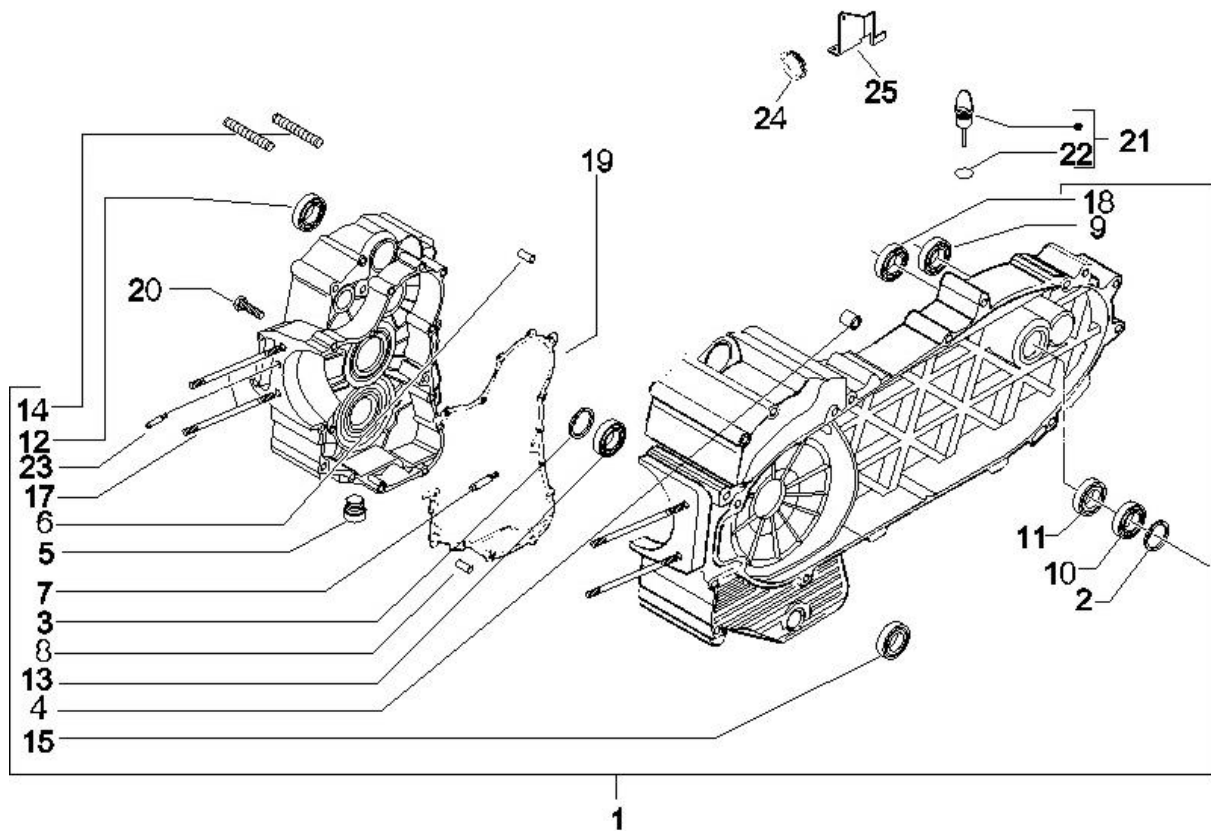
BR-500 PLASTIC PARTS COLOR CODE TABLE

ITEM	ENGLISH NAME	CHINESE NAME	ORANGE	BENZ-BLACK	SNOW WHITE	REMARKS
項次	英文名稱	中文名稱	2R	69	71	備註
1	CEILING COVER	頂棚蓋(續紛橘)	B86250002R00	B86250006900	B86250007100	
2	WINDSHIELD,FRT ABOVE	前上擋風板(續紛橘)	B86210002R00	B86210006900	B86210007100	
3	LEFT UP FENDER	左上檔泥板(續紛橘)	B86310002R00	B86310006900	B86310007100	
4	RIGHT UP FENDER	右上檔泥板(續紛橘)	B863A0002R00	B863A0006900	B863A0007100	
5	REAR BODY COVER,LH	左後車身蓋(續紛橘)	B86250202R00	B86250206900	B86250207100	
6	REAR BODY COVER,RH	右後車身蓋(續紛橘)	B862E0202R00	B862E0206900	B862E0207100	
7	REAR FENDER,LH	左後檔泥板(超黑)	B86340006500	B86340006500	B86340006500	
8	REAR FENDER,RH	右後檔泥板(超黑)	B863D0006500	B863D0006500	B863D0006500	
9	LEFT DOWN FENDER	左下檔泥板(超黑)	B86310106500	B86310106500	B86310106500	
10	RIGHT DOWN FENDER	右下檔泥板(超黑)	B863A0106500	B863A0106500	B863A0106500	
11	LEFT COVER	左護蓋(平光黑)	B86250106800	B86250106800	B86250106800	
12	RIGHT COVER	右護蓋(平光黑)	B862E0106800	B862E0106800	B862E0106800	
13	PLATE SIDE LH	左側飾板	B84210500000	B84210500000	B84210500000	
14	PLATE SIDE RH	右側飾板	B842A0500000	B842A0500000	B842A0500000	
15	WINDSHIELD,FRT LOWER	前下擋風板(平光黑)	B86210106800	B86210106800	B86210106800	

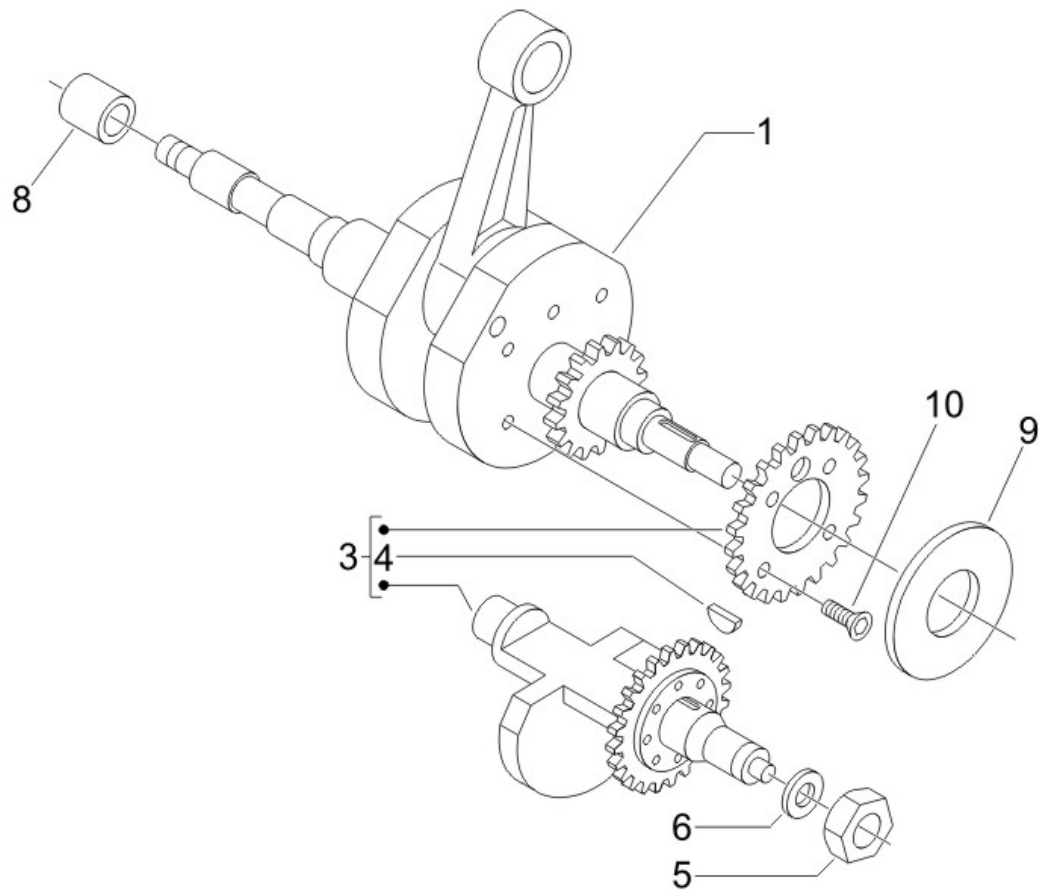
E1. Engine complete



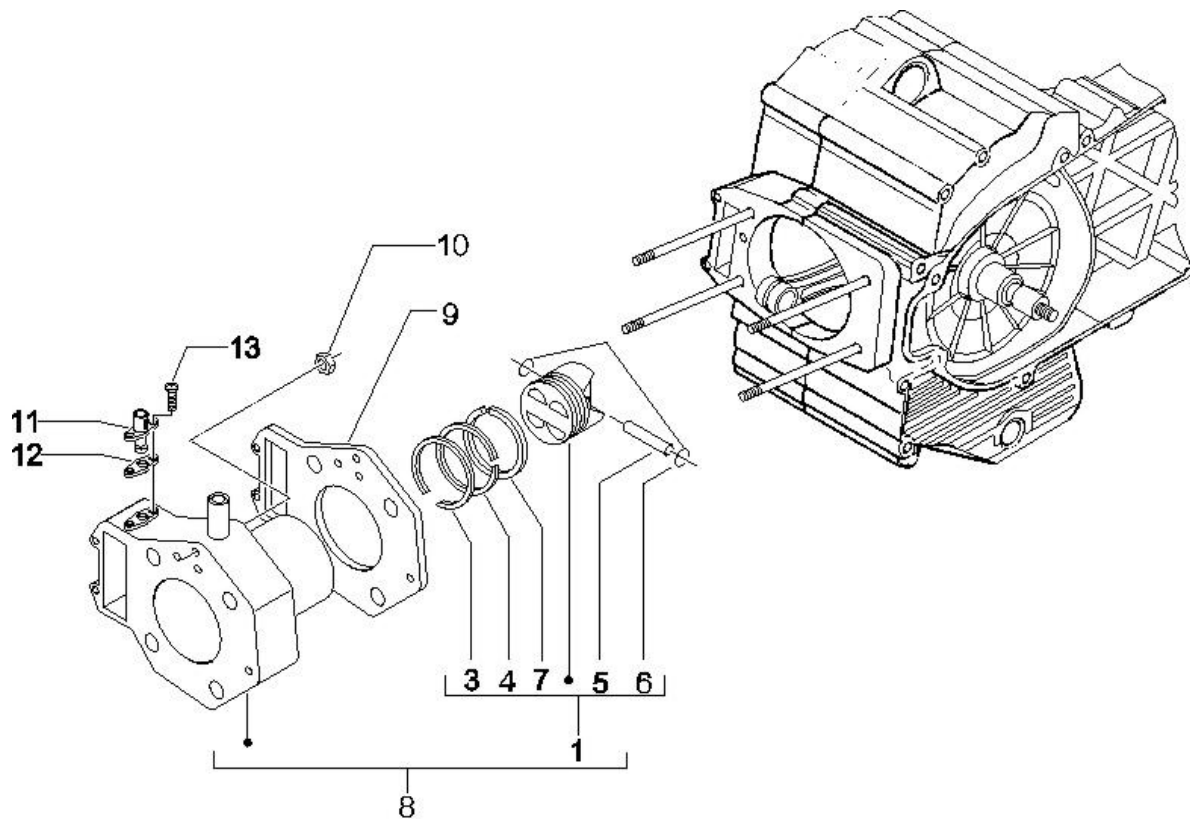
E2. Crankcase



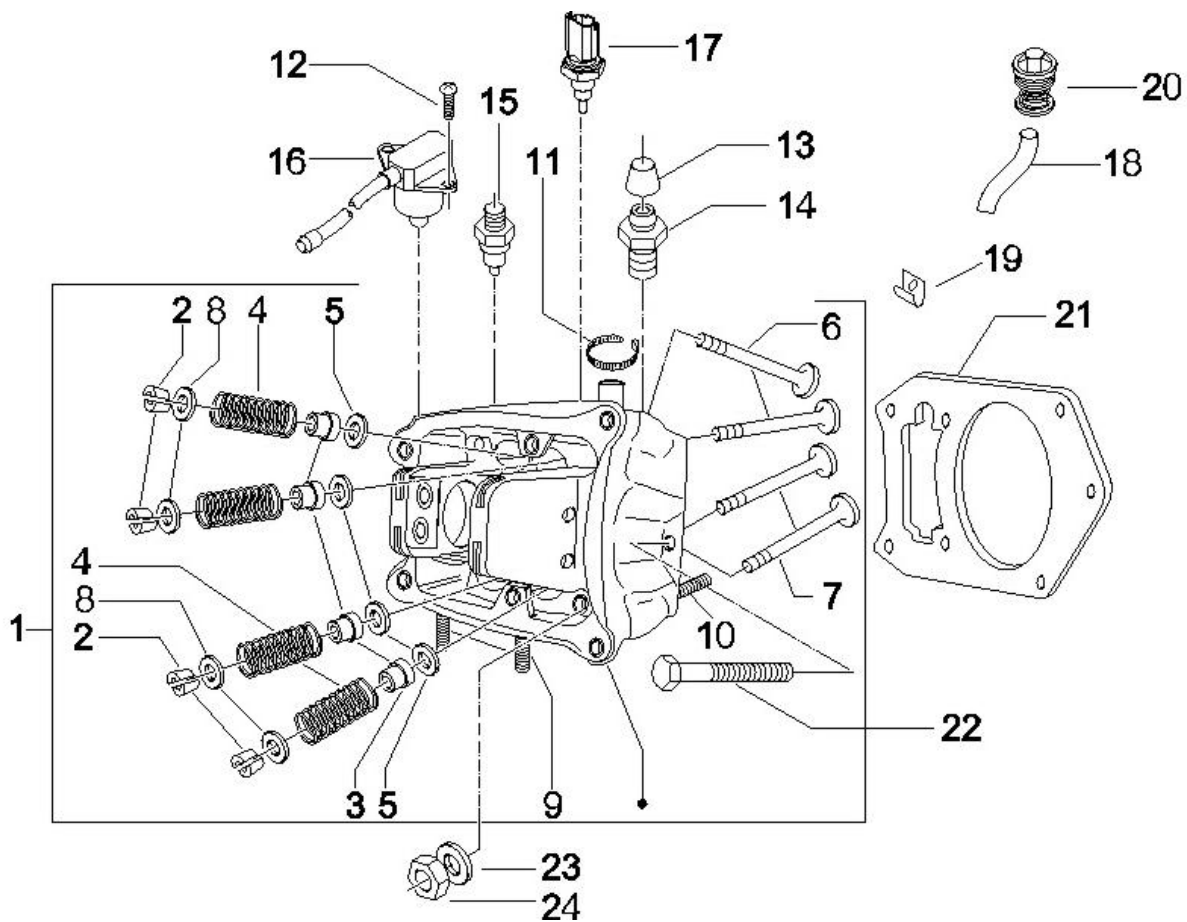
E3. Crankshaft



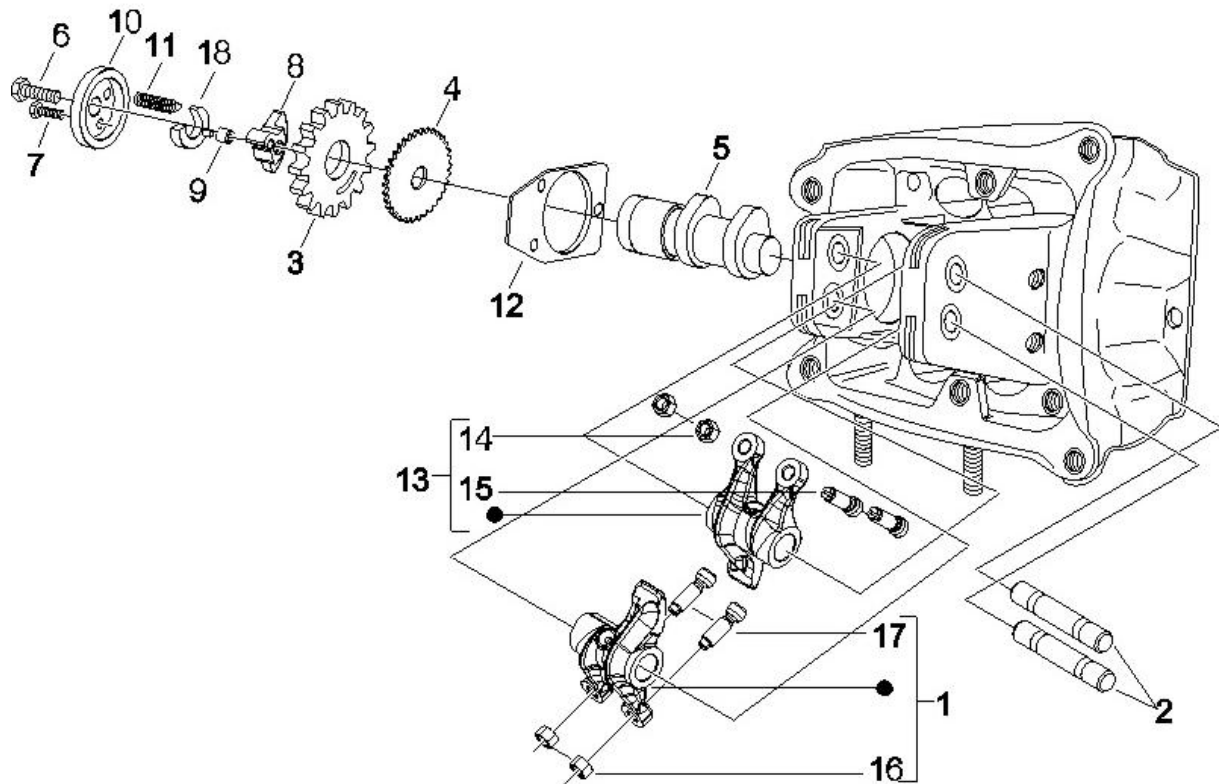
E4. Cylinder & Piston Set



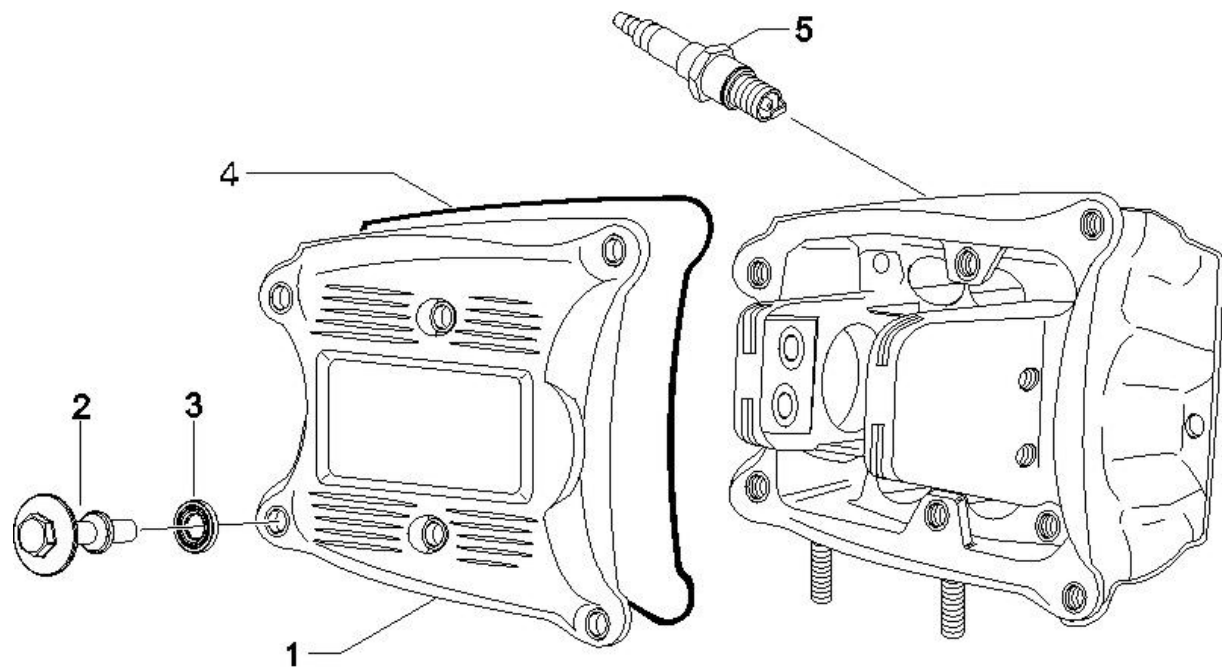
E5.Cylinder Head



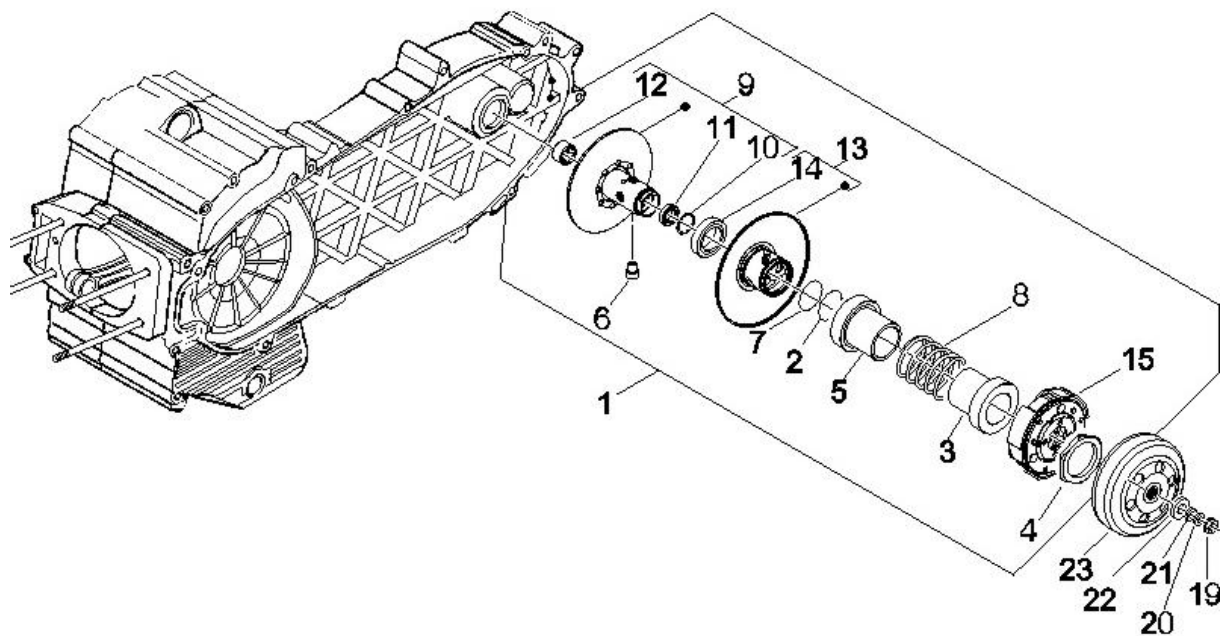
E6. Camshaft & Rocker Arm



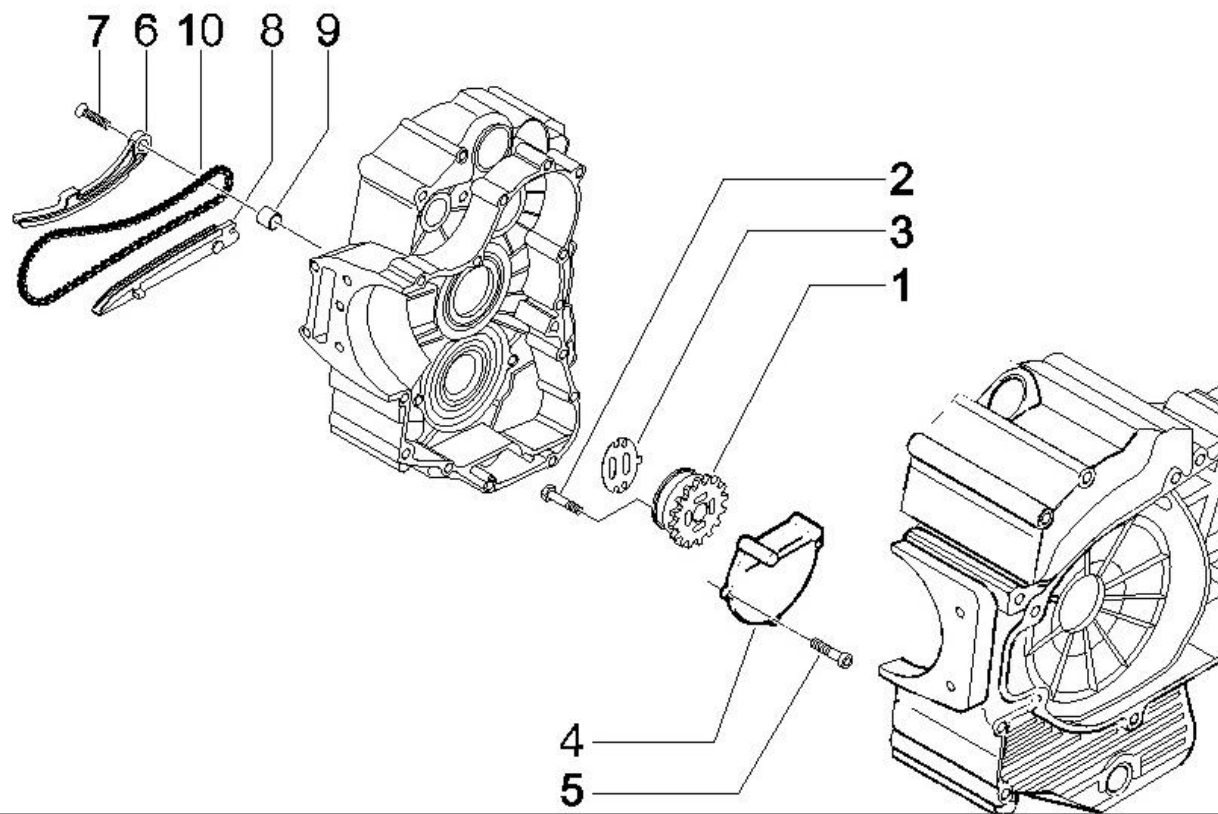
E7. CylinderHead Cover



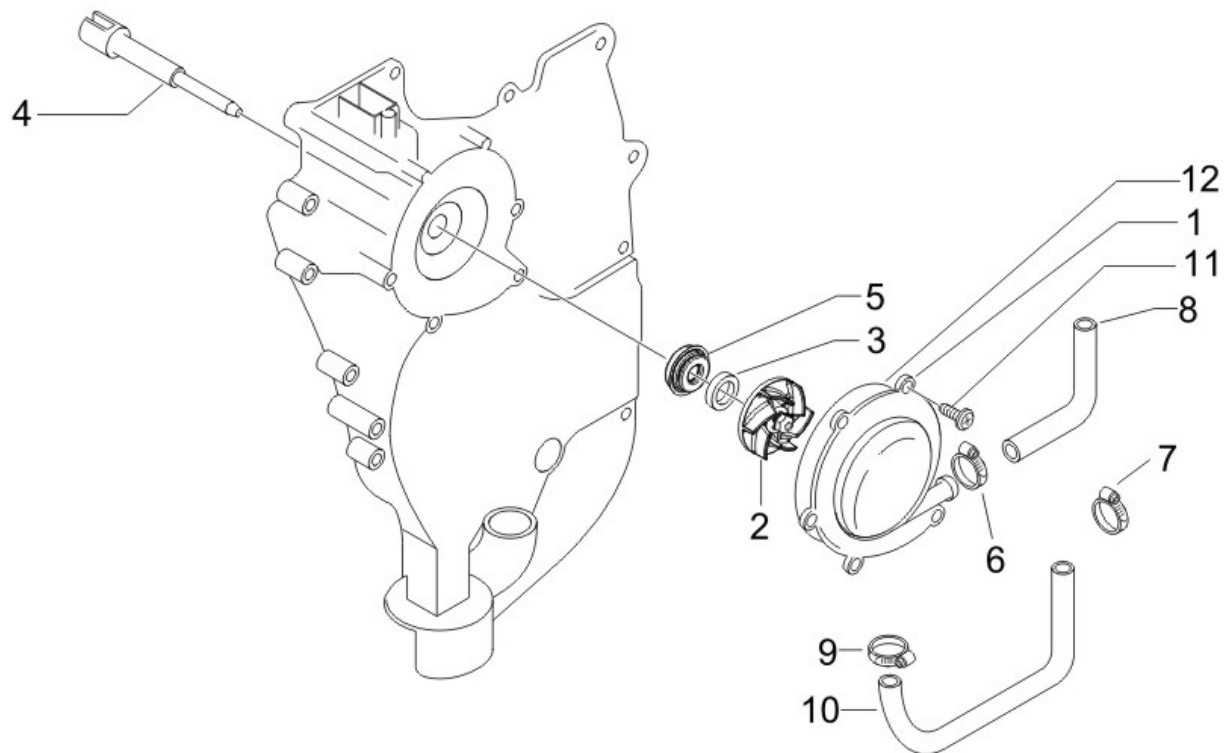
E9.Clutch Pulley



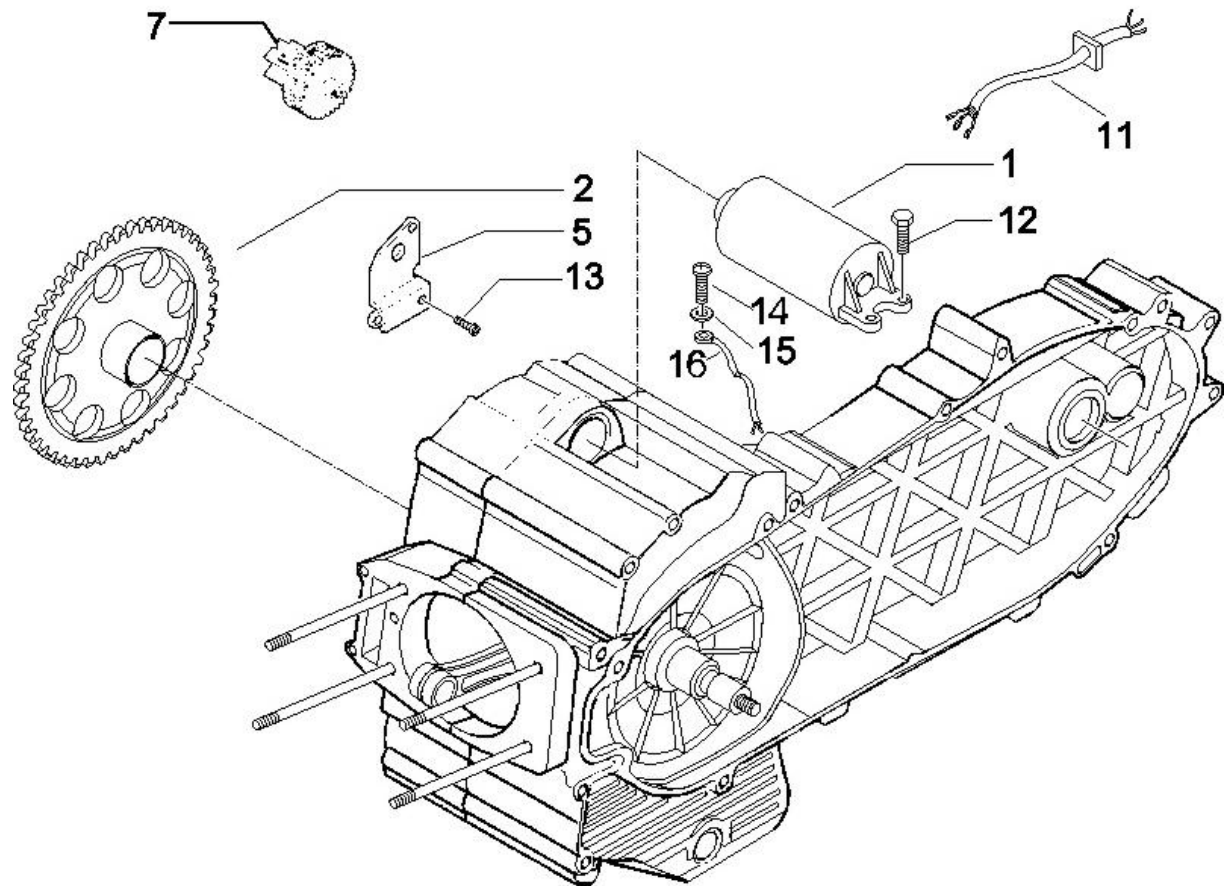
E11. Oil Pump assy.



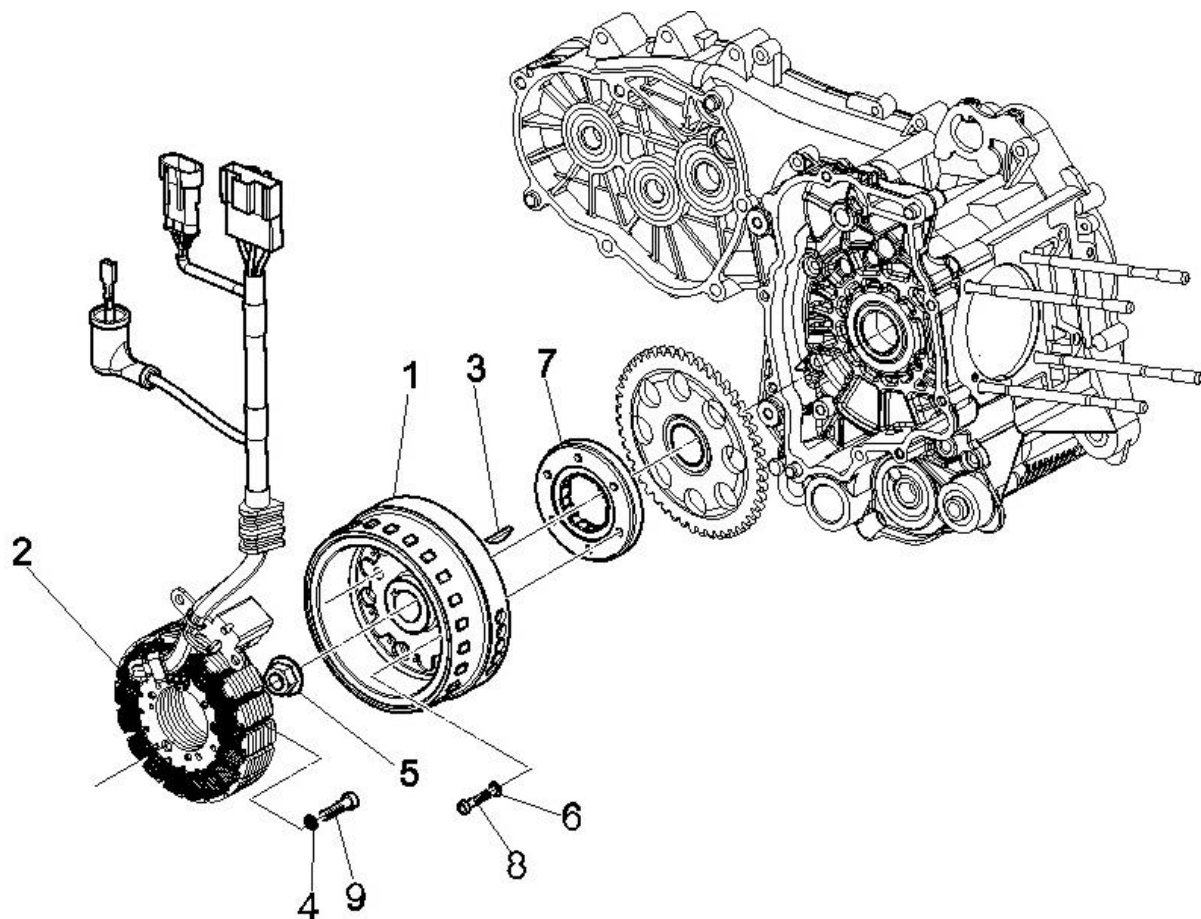
E12. Water Pump assy.



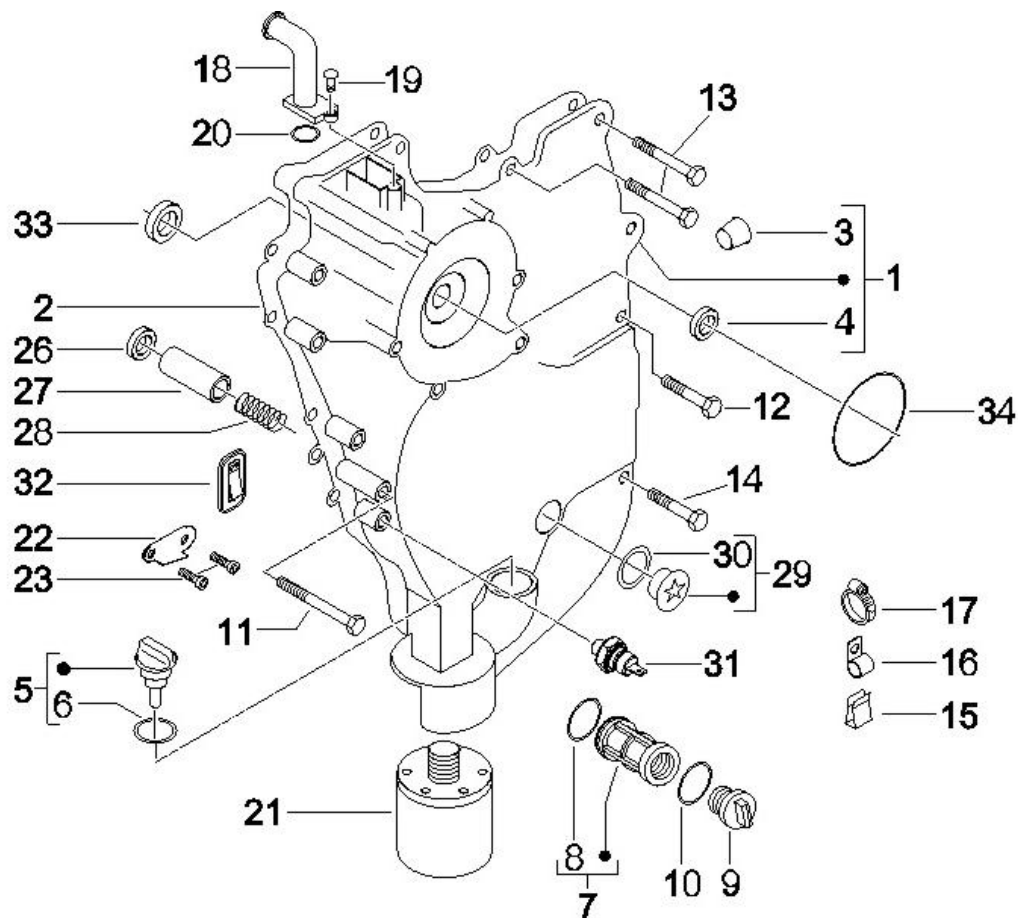
E13. Starting Motor



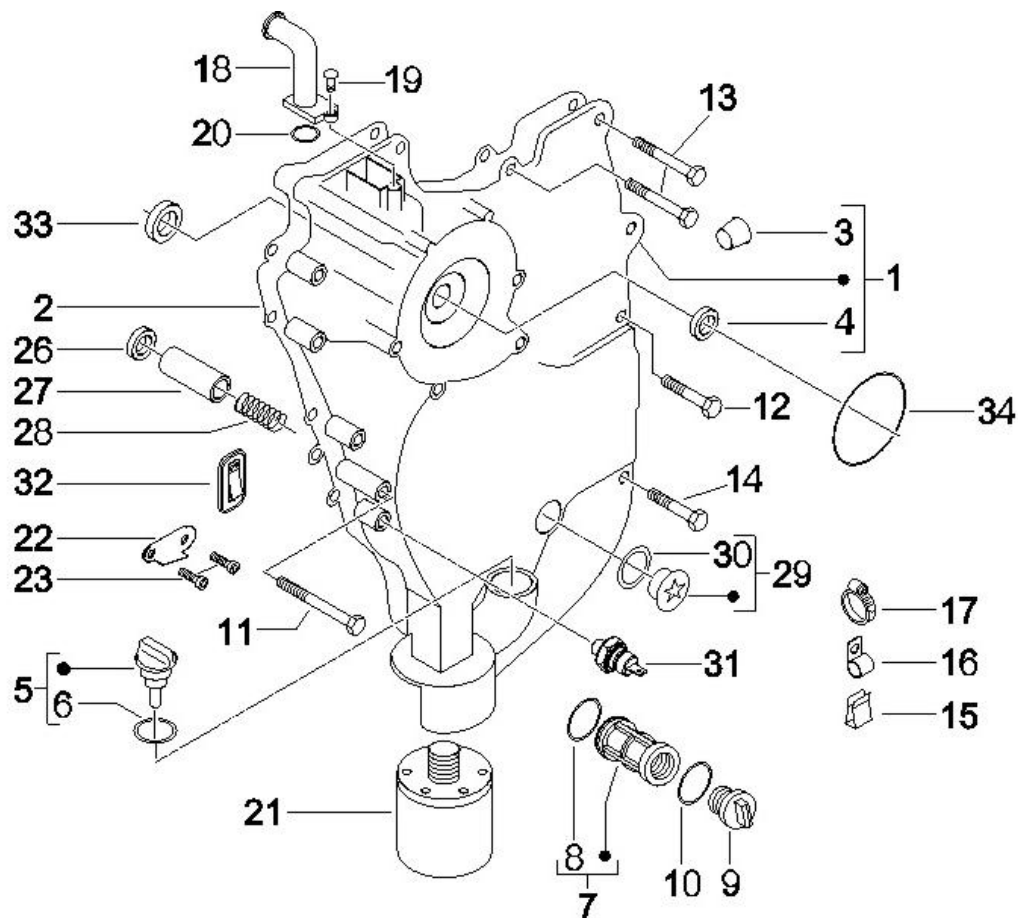
E14. Generator



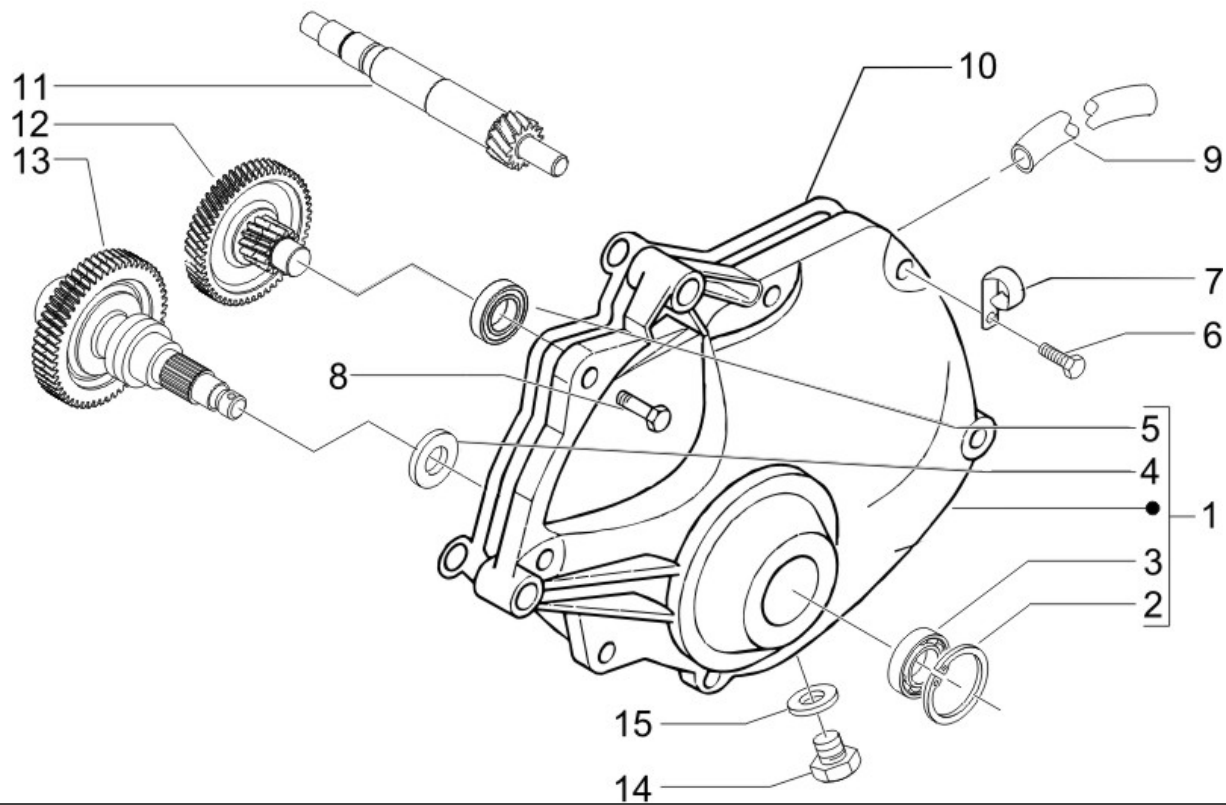
E15. Oil Filter



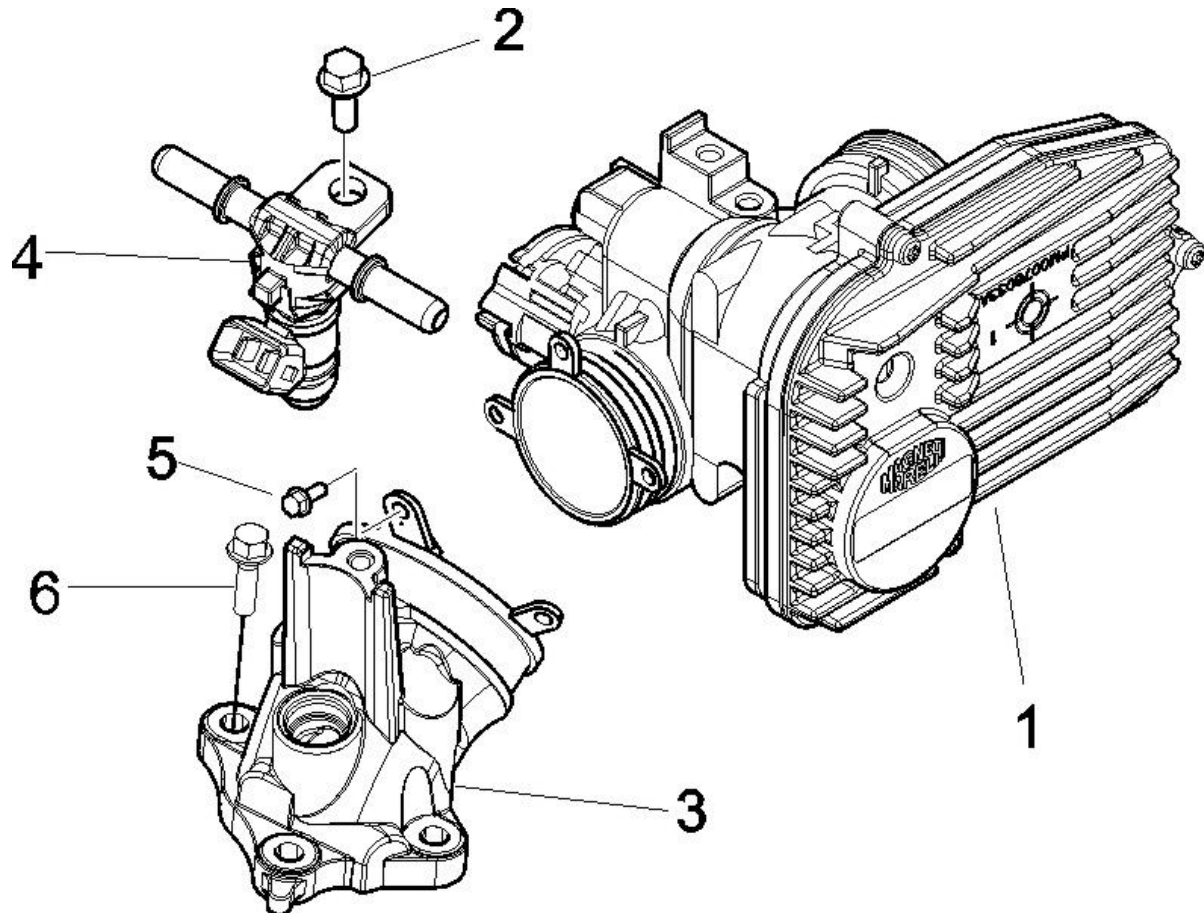
E15. Oil Filter



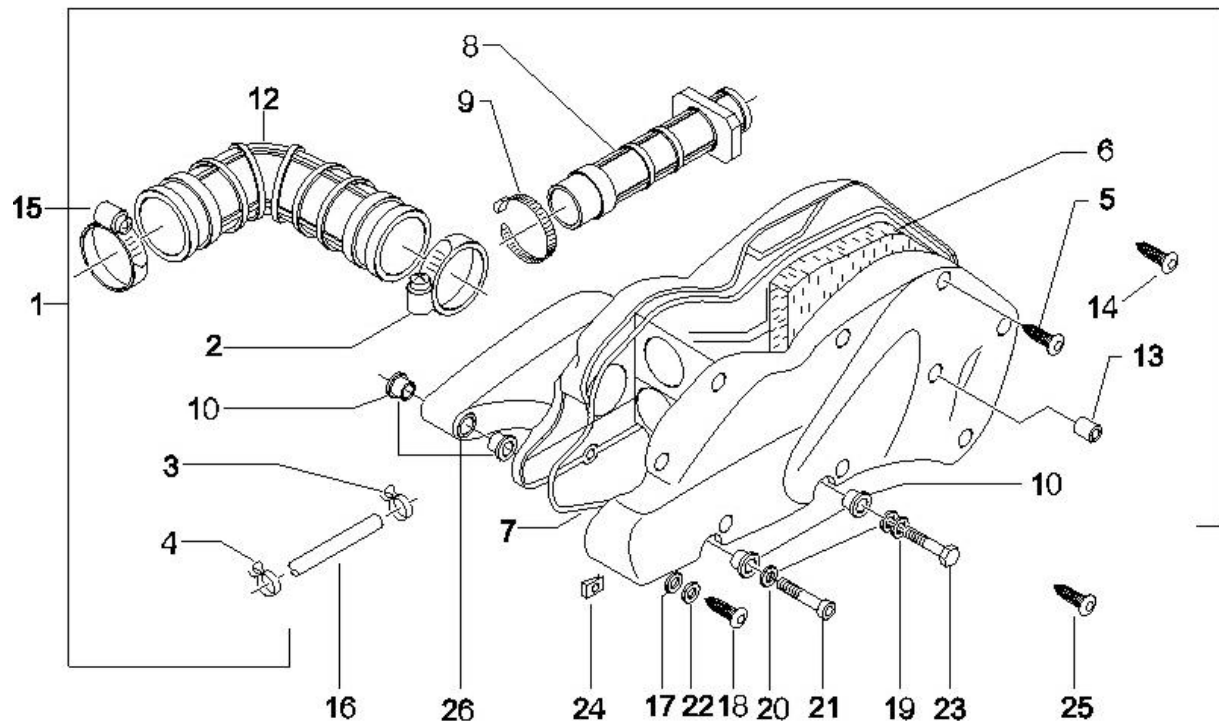
E16. Reduction Gear



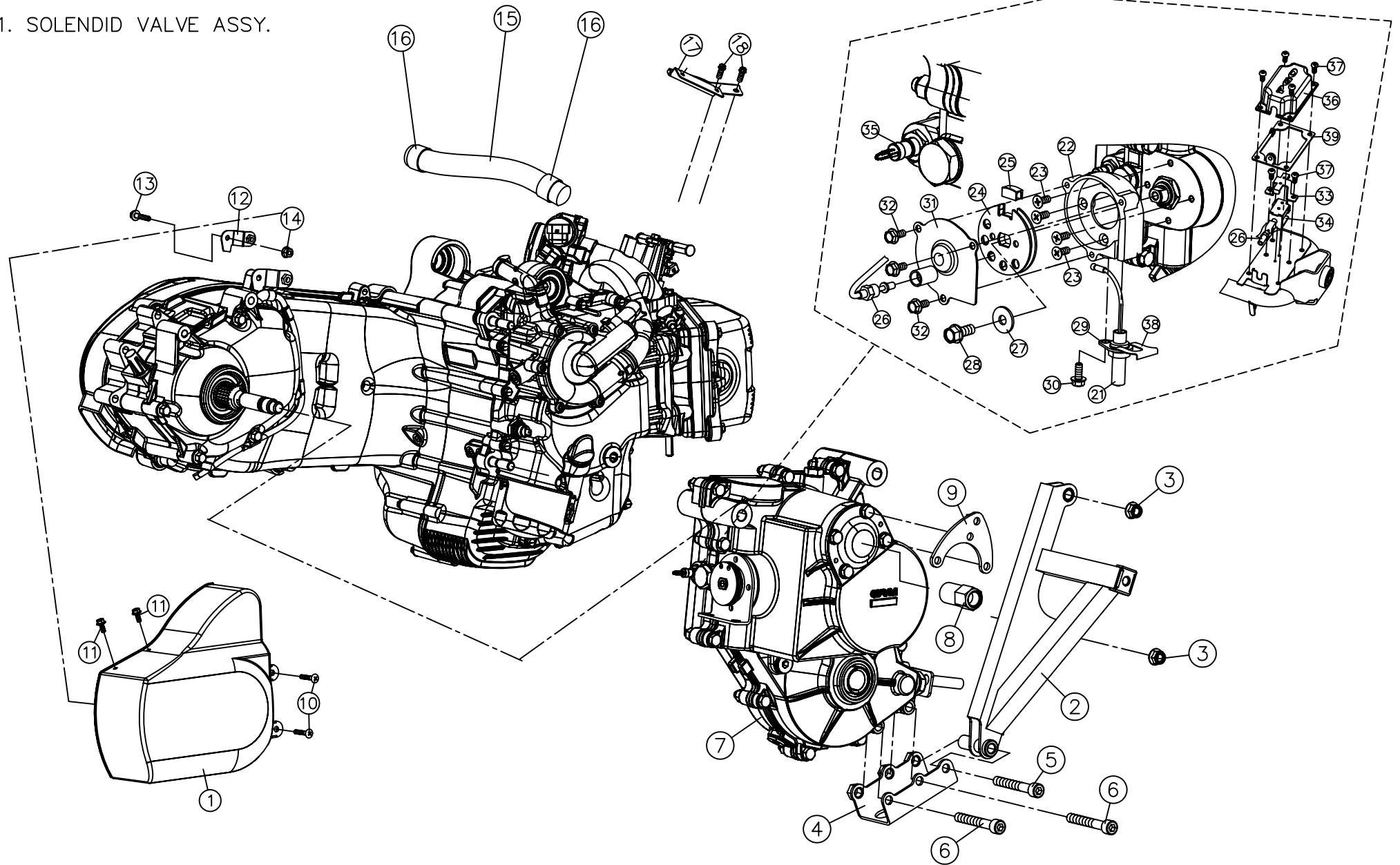
E17. Throttle Body



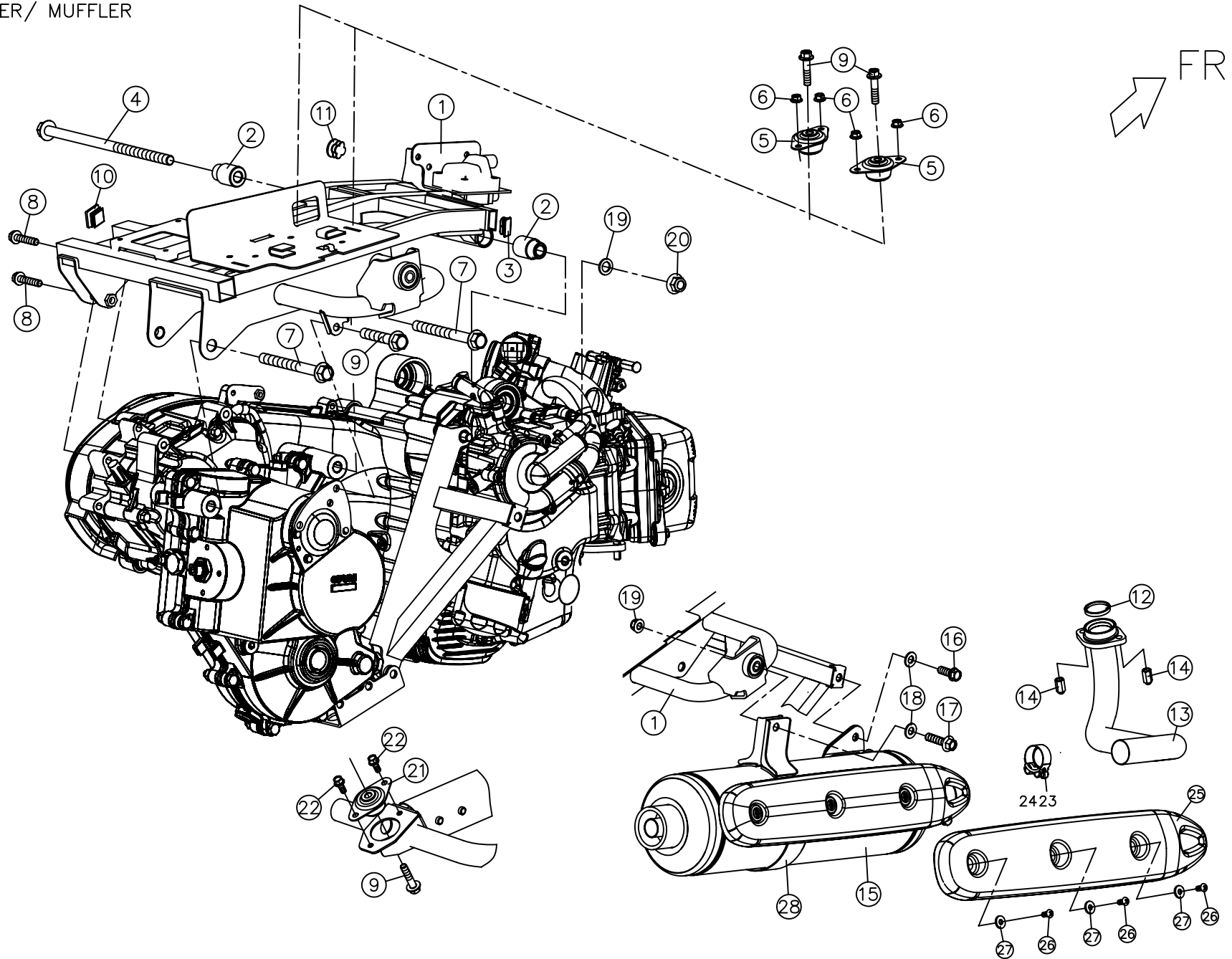
E18. Air Cleaner Assy.



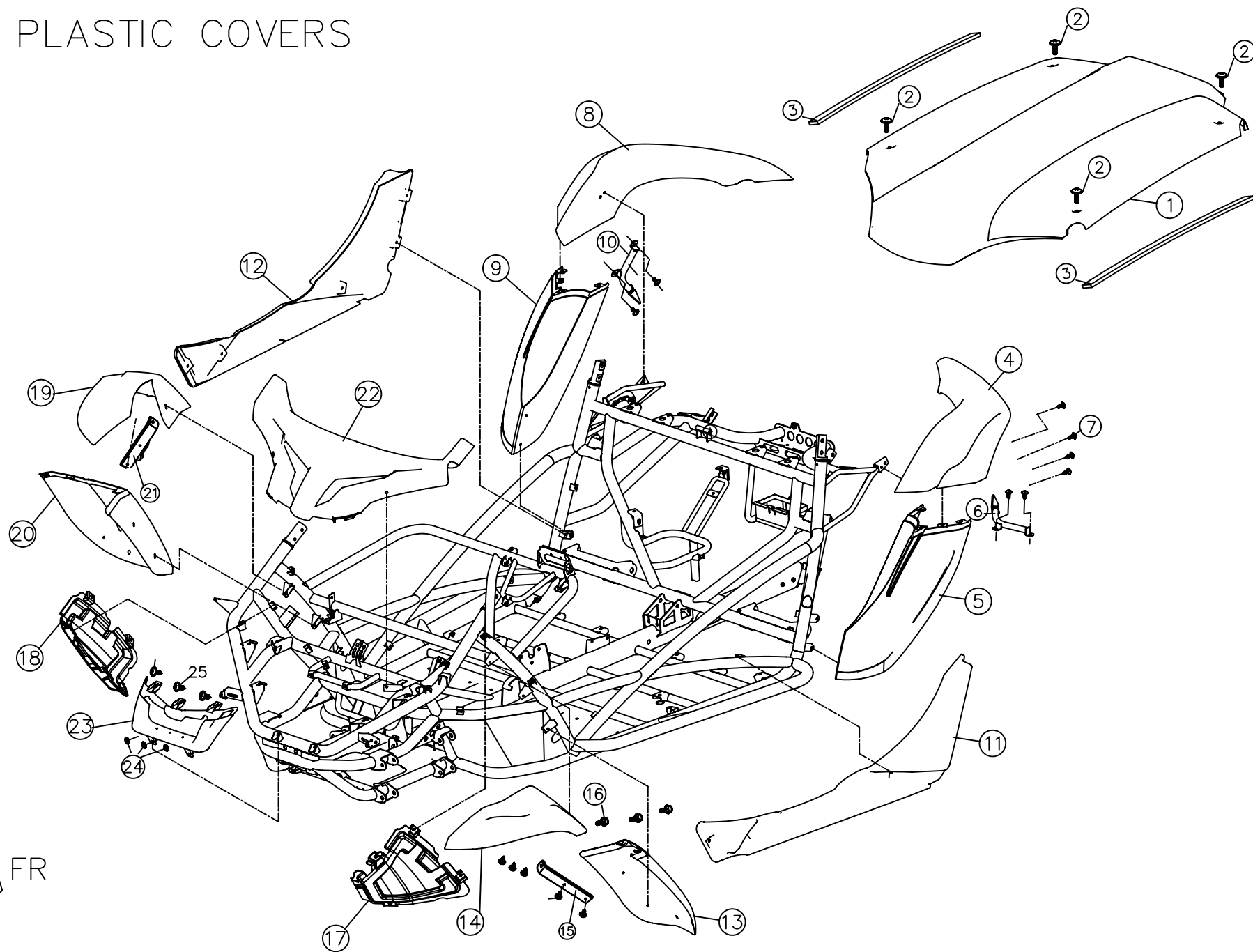
F1. SOLENDID VALVE ASSY.



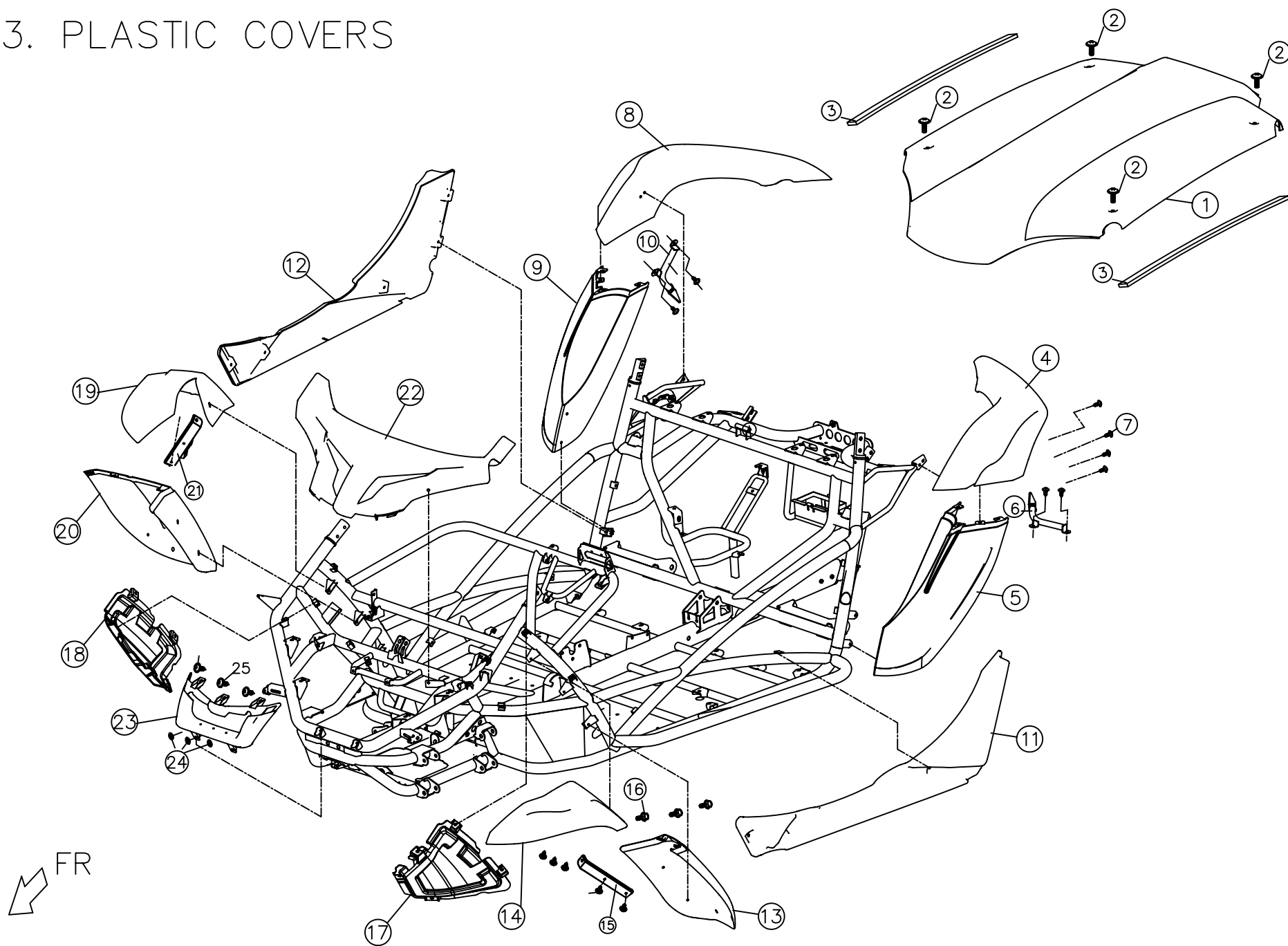
F2. ENGINE HANGER/ MUFFLER



F3. PLASTIC COVERS

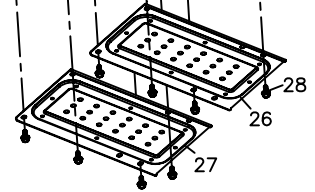
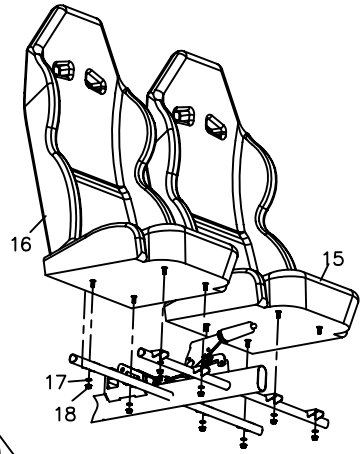
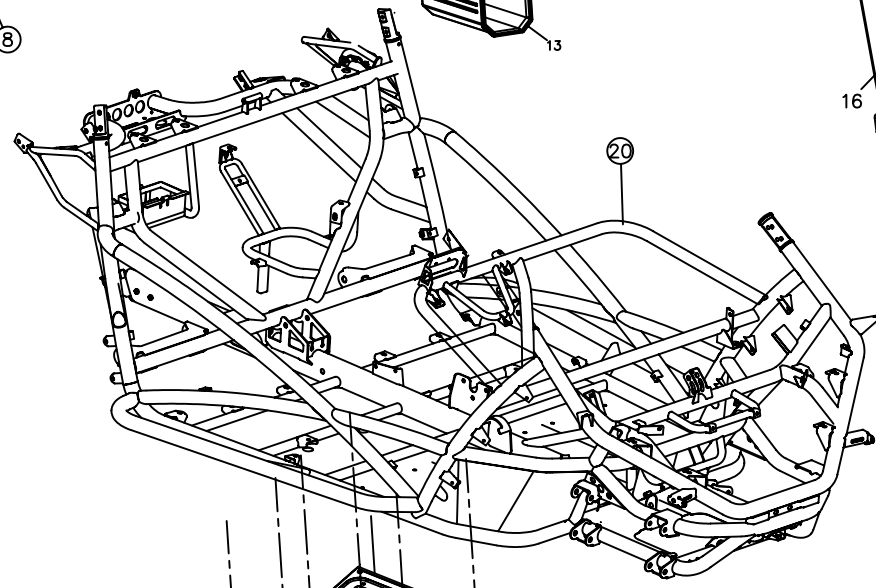
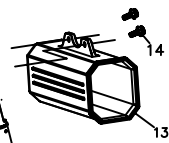
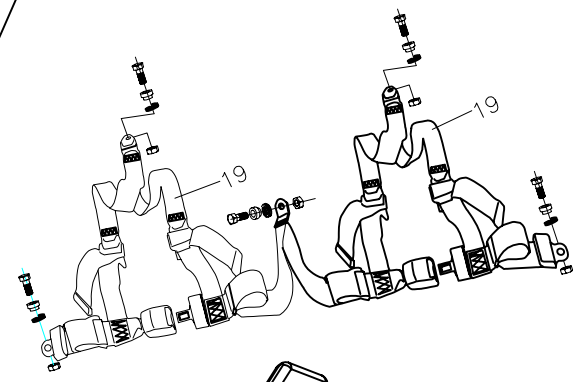
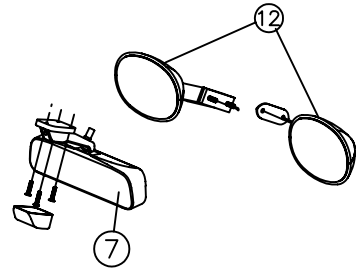
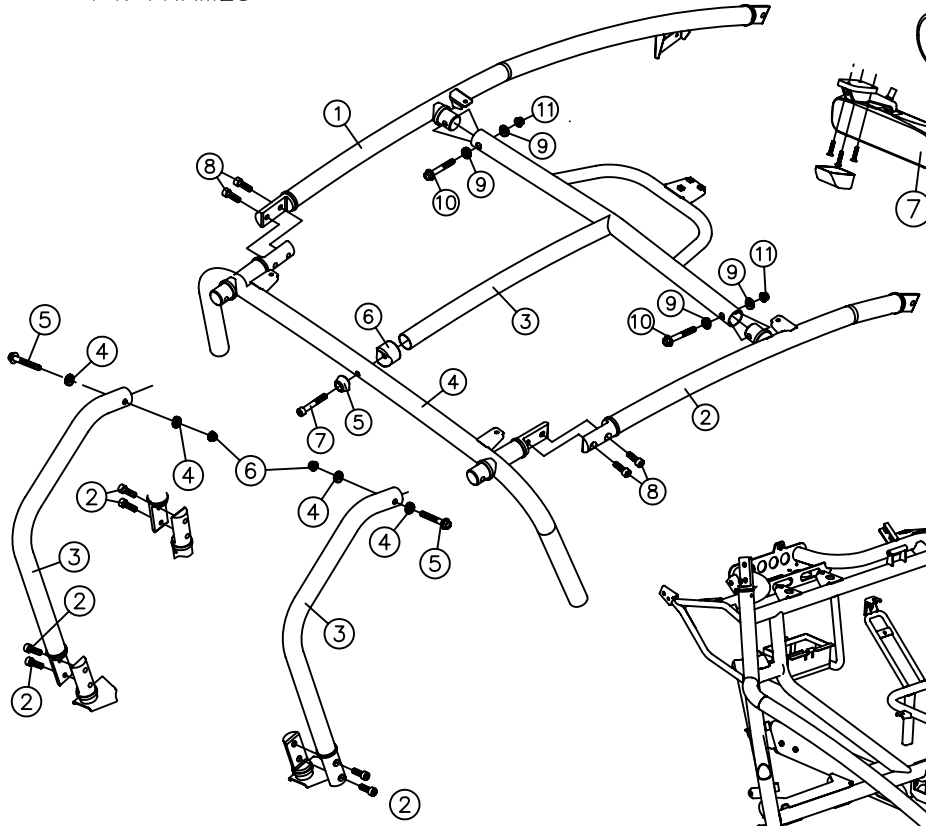


F3. PLASTIC COVERS



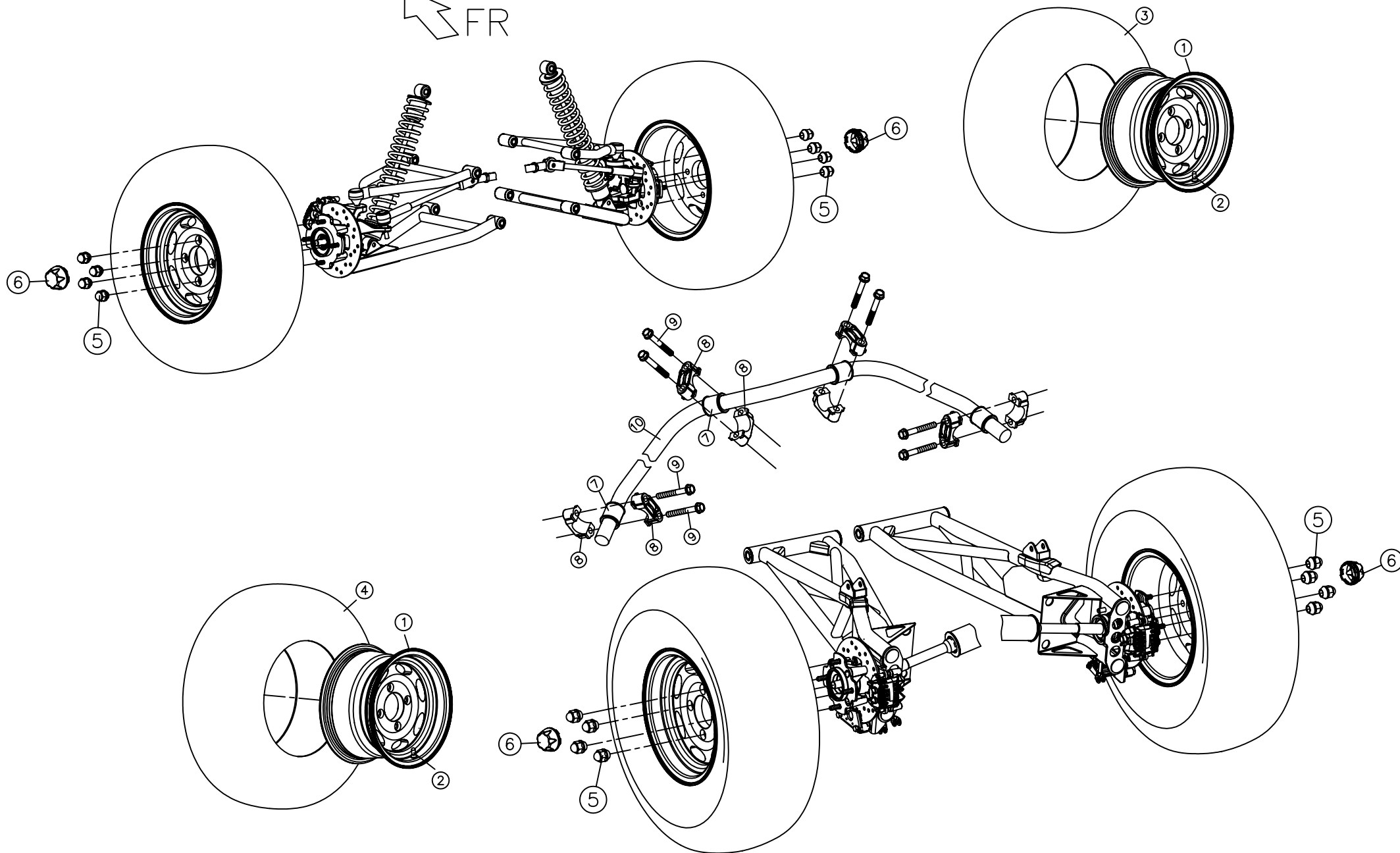
F4. FRAMES

FR

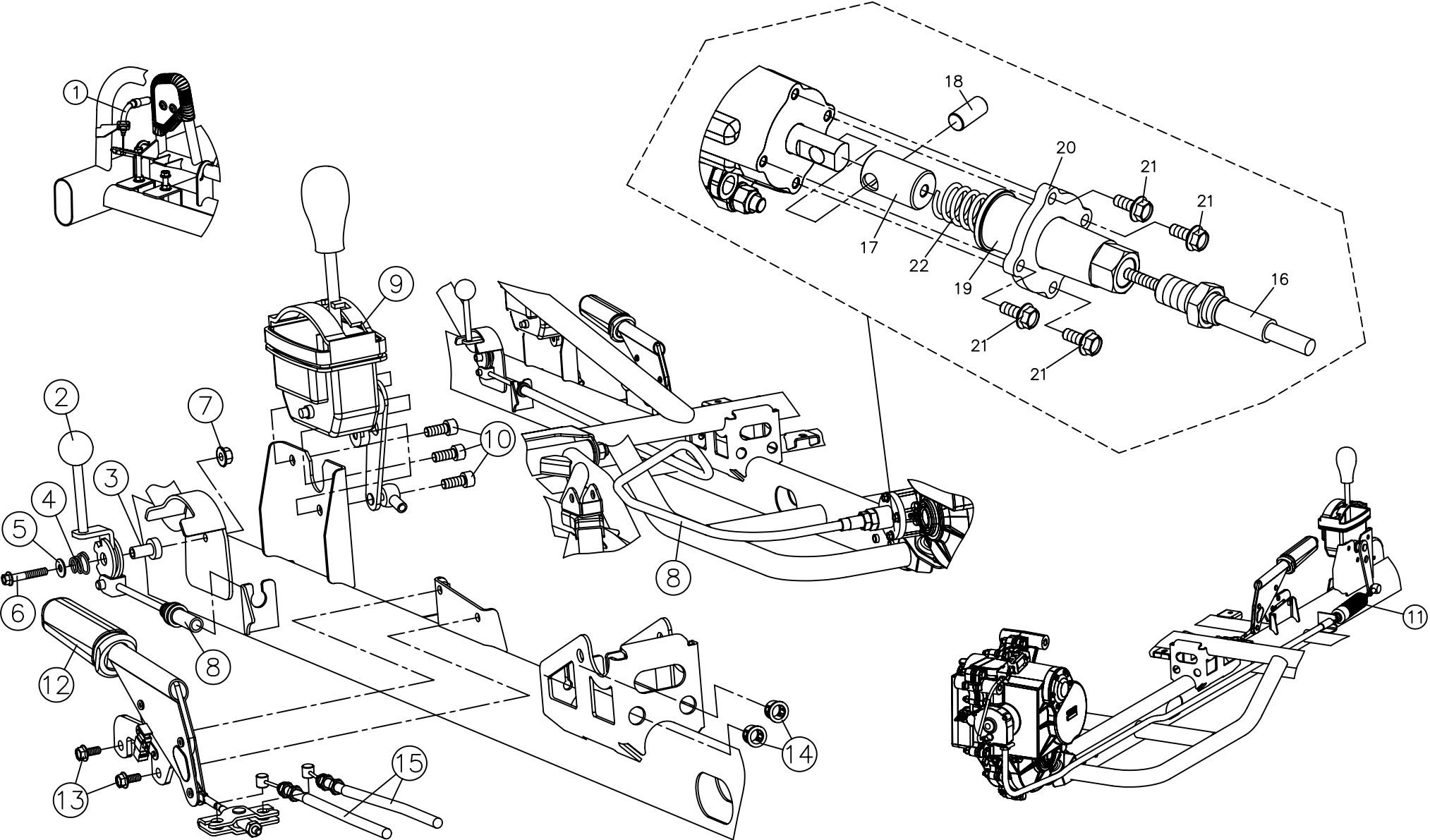


F5. WHEELS

FR

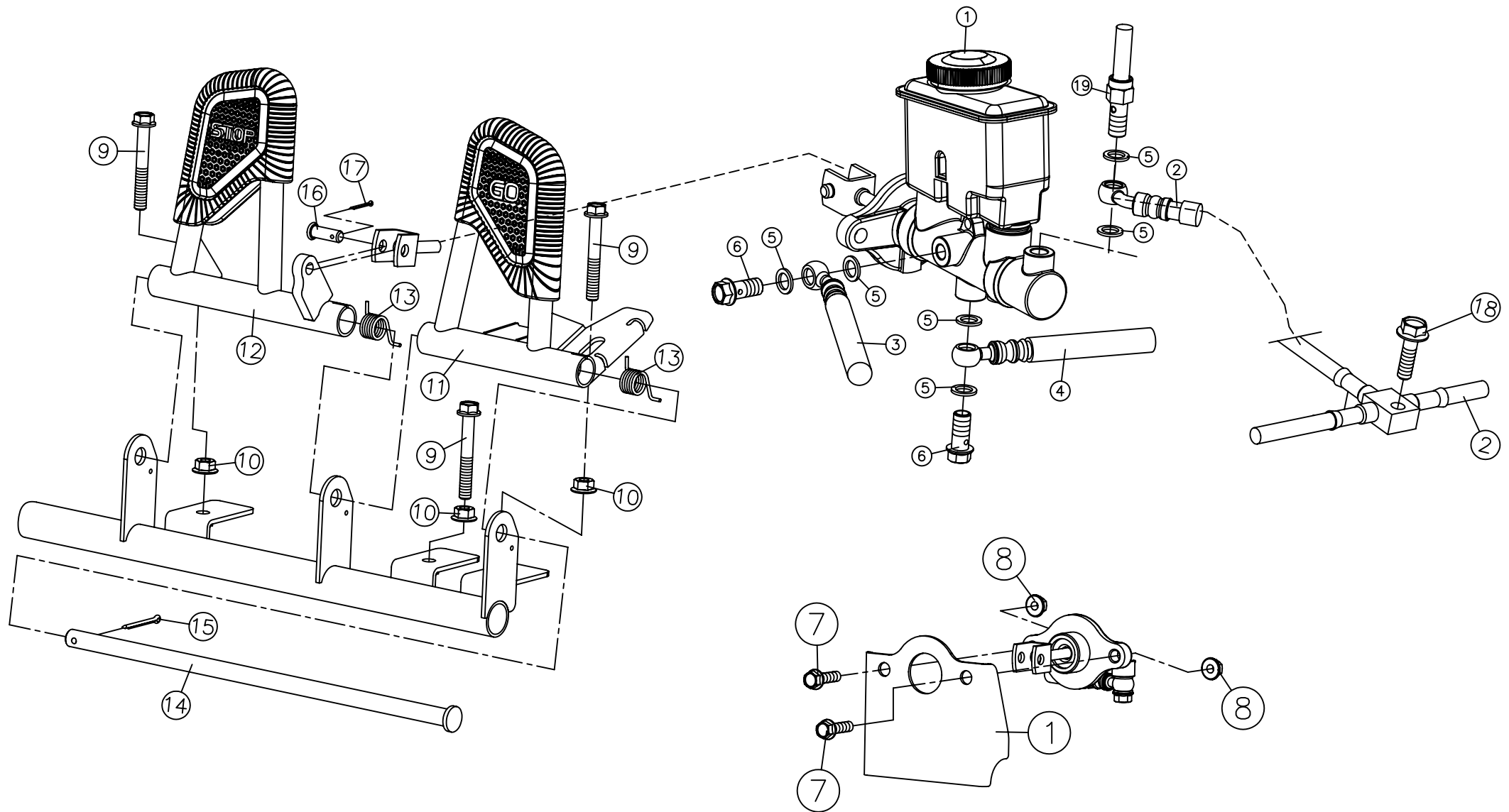


F6. CONTROL CABLES

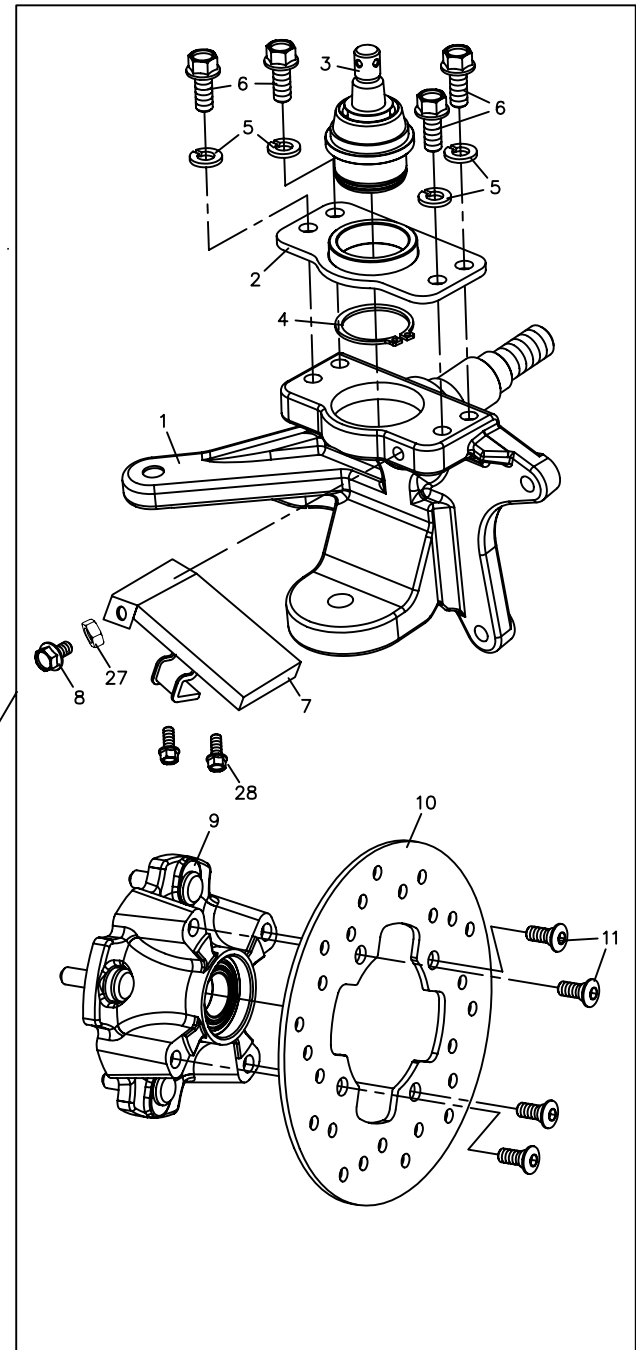
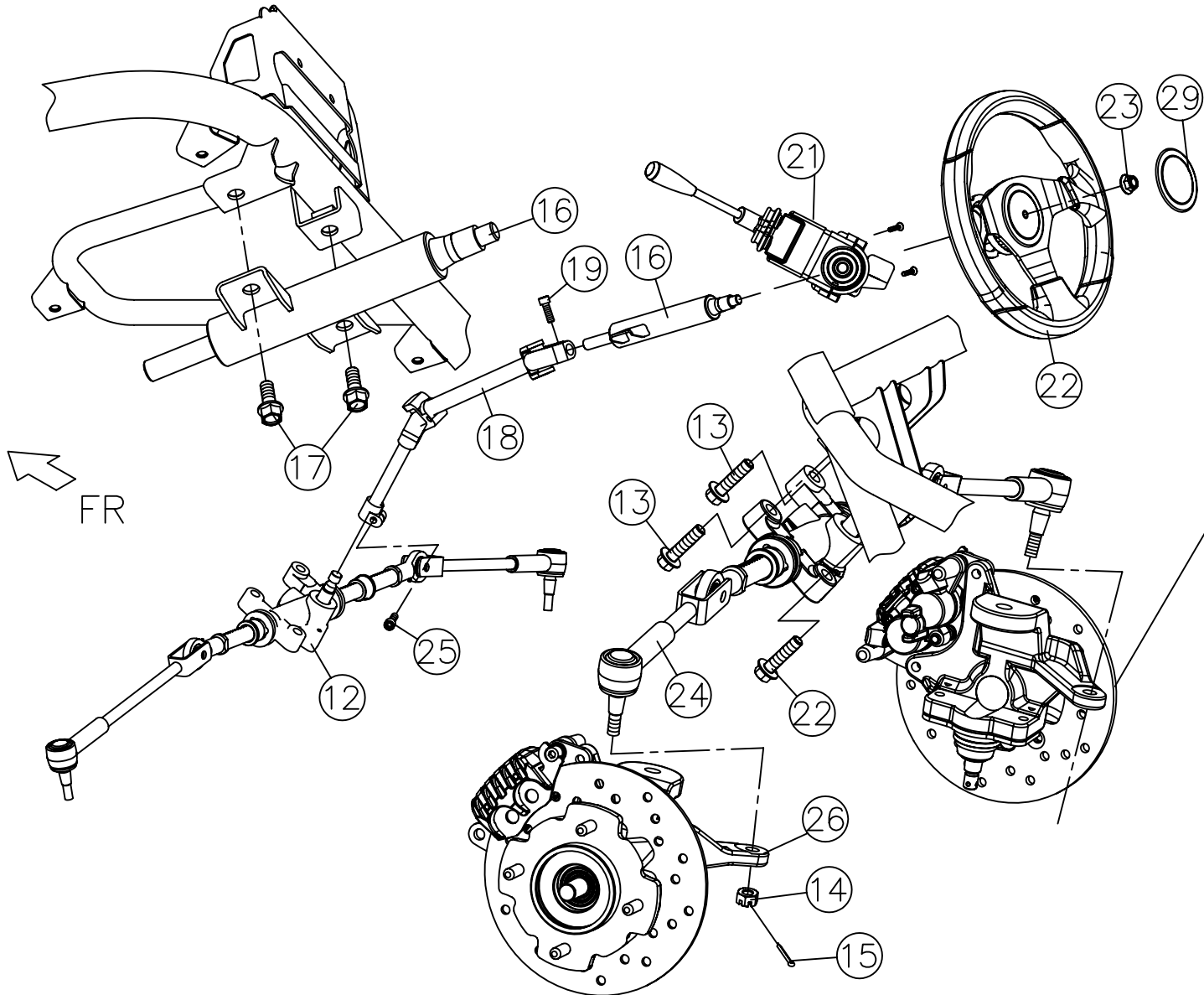


F7. BRAKE SYSTEM

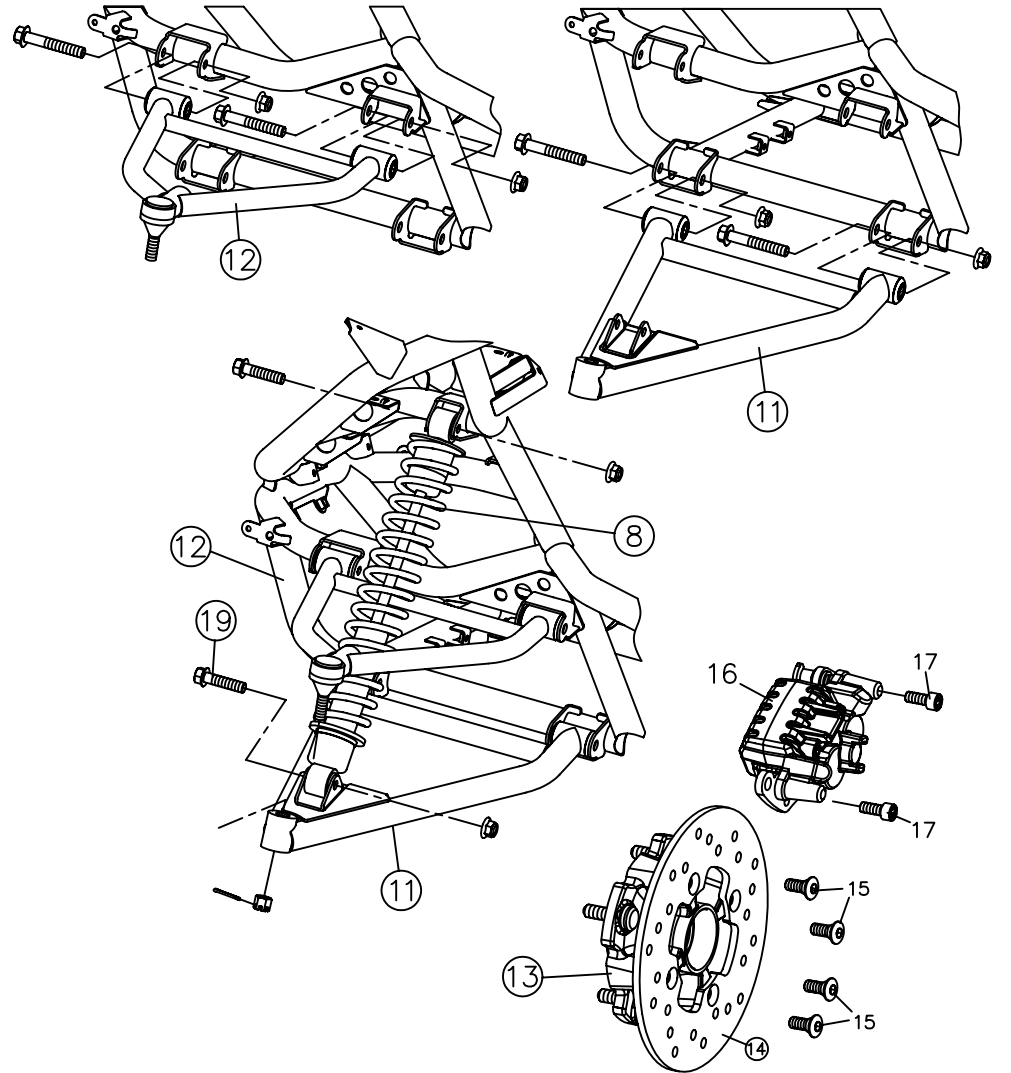
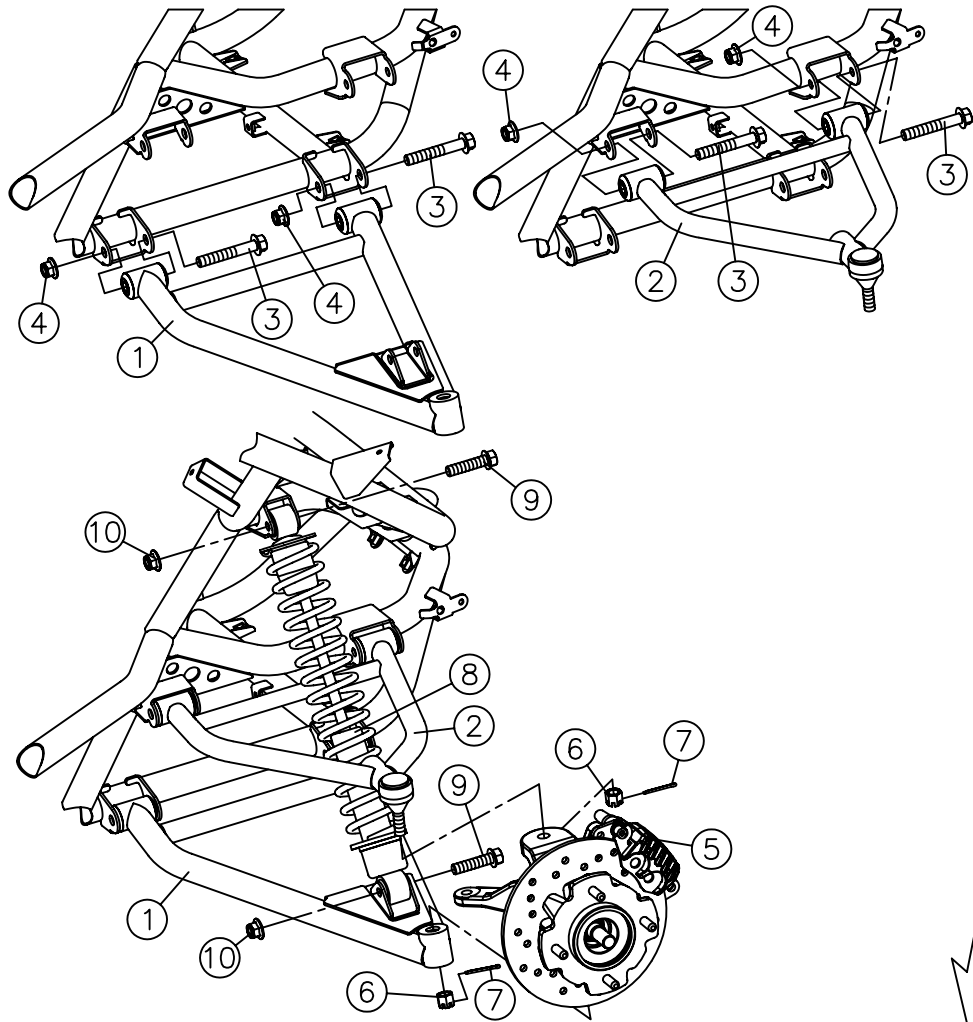
FR



F8. STEERING MECHANISM

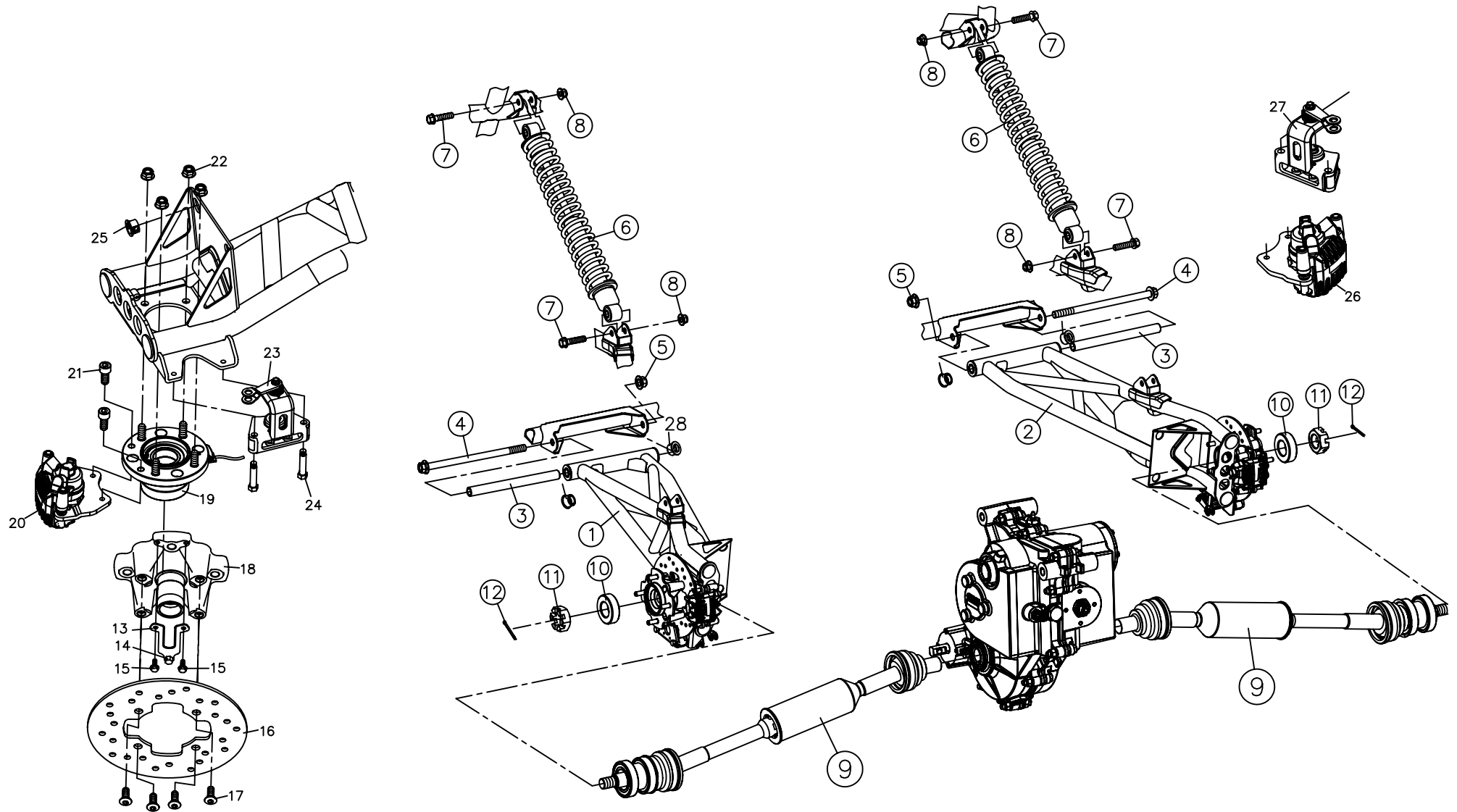


F9. SWING A ARMS

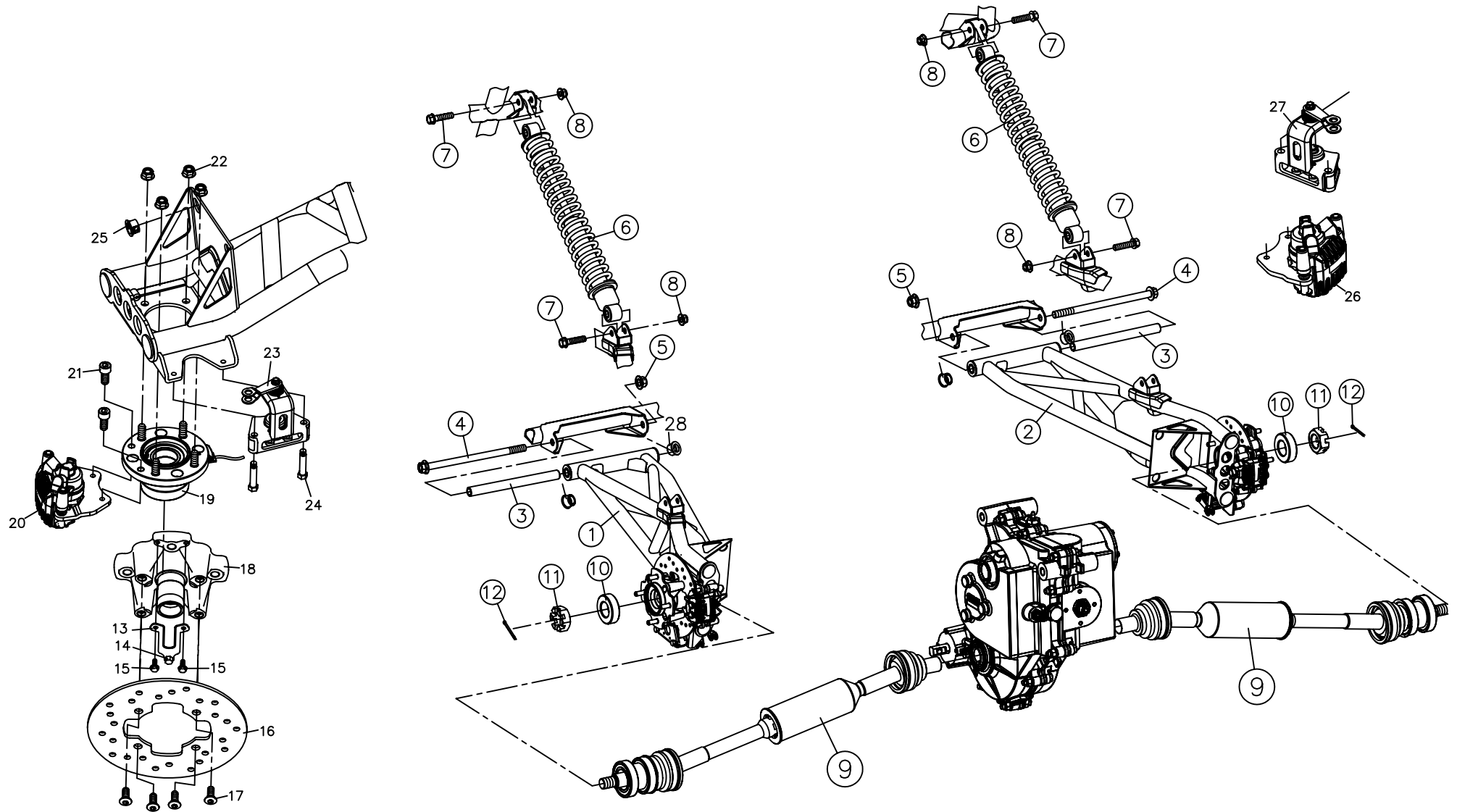


FR

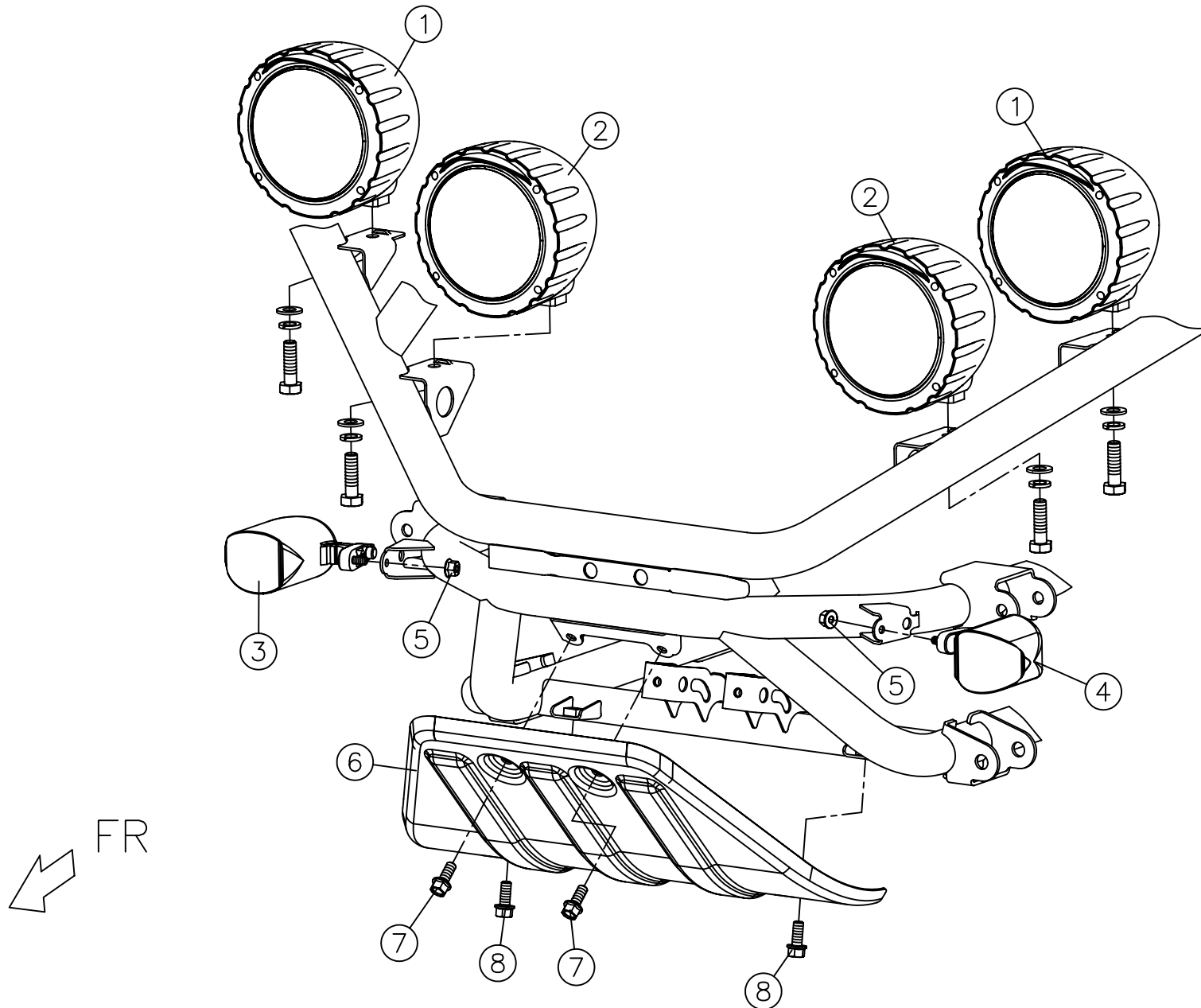
F10. DRIVING SHAFT, ABSORBER



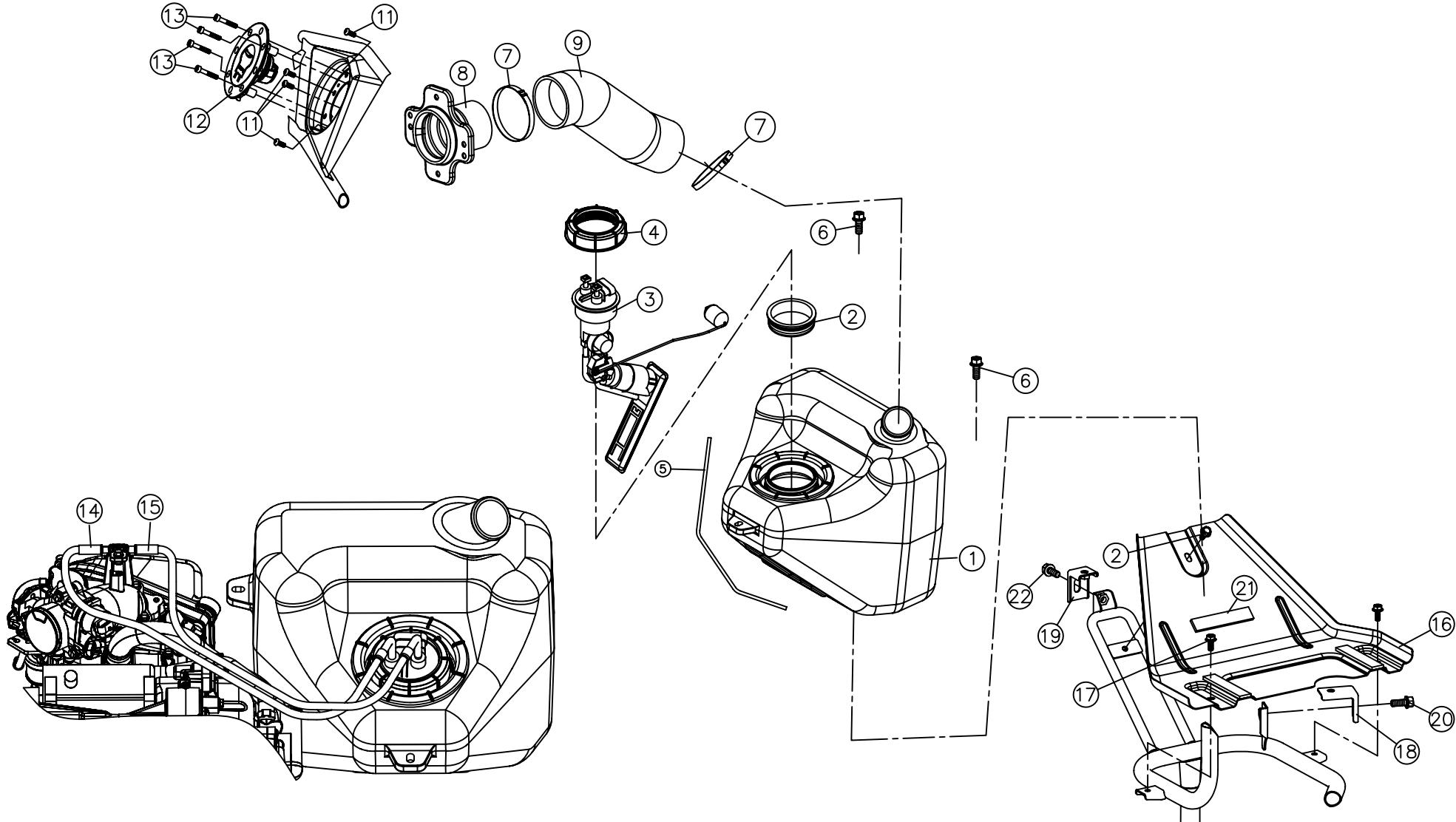
F10. DRIVING SHAFT, ABSORBER



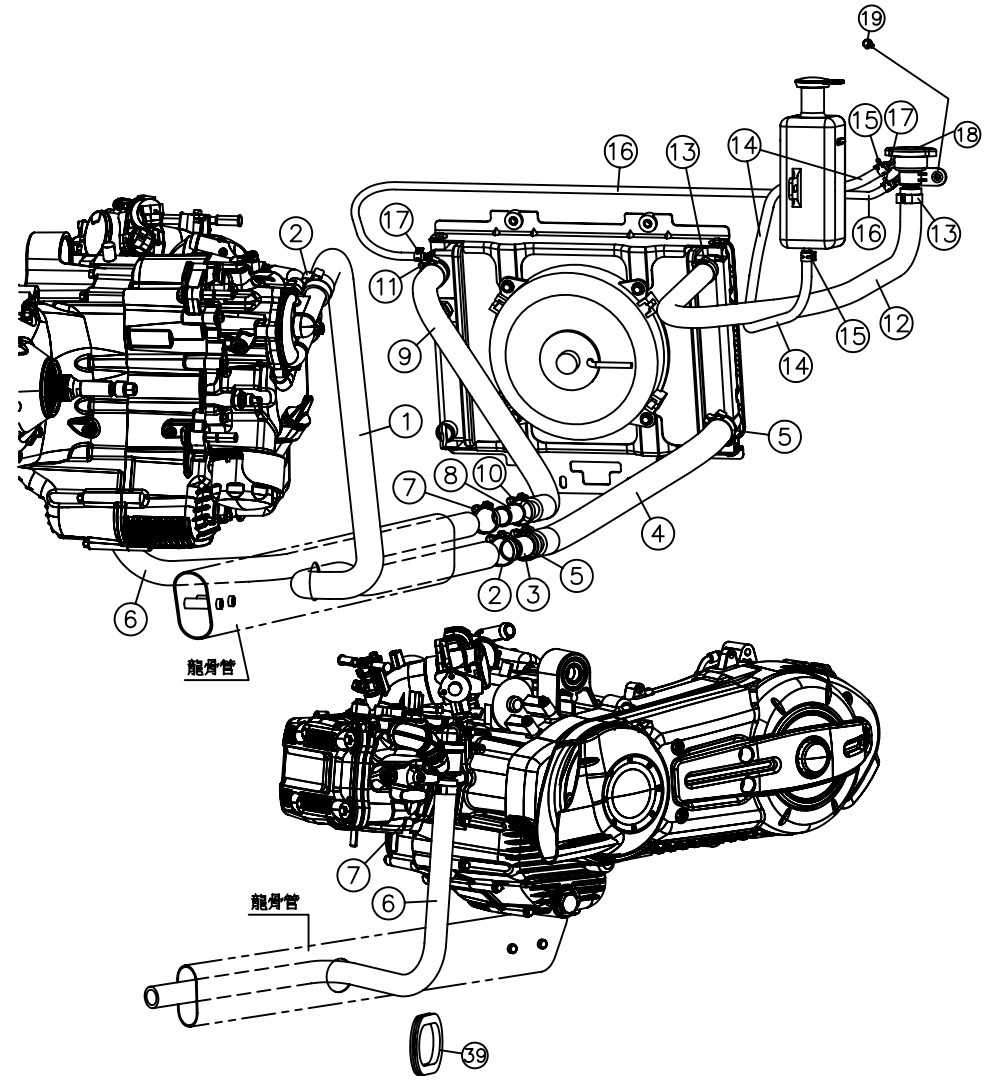
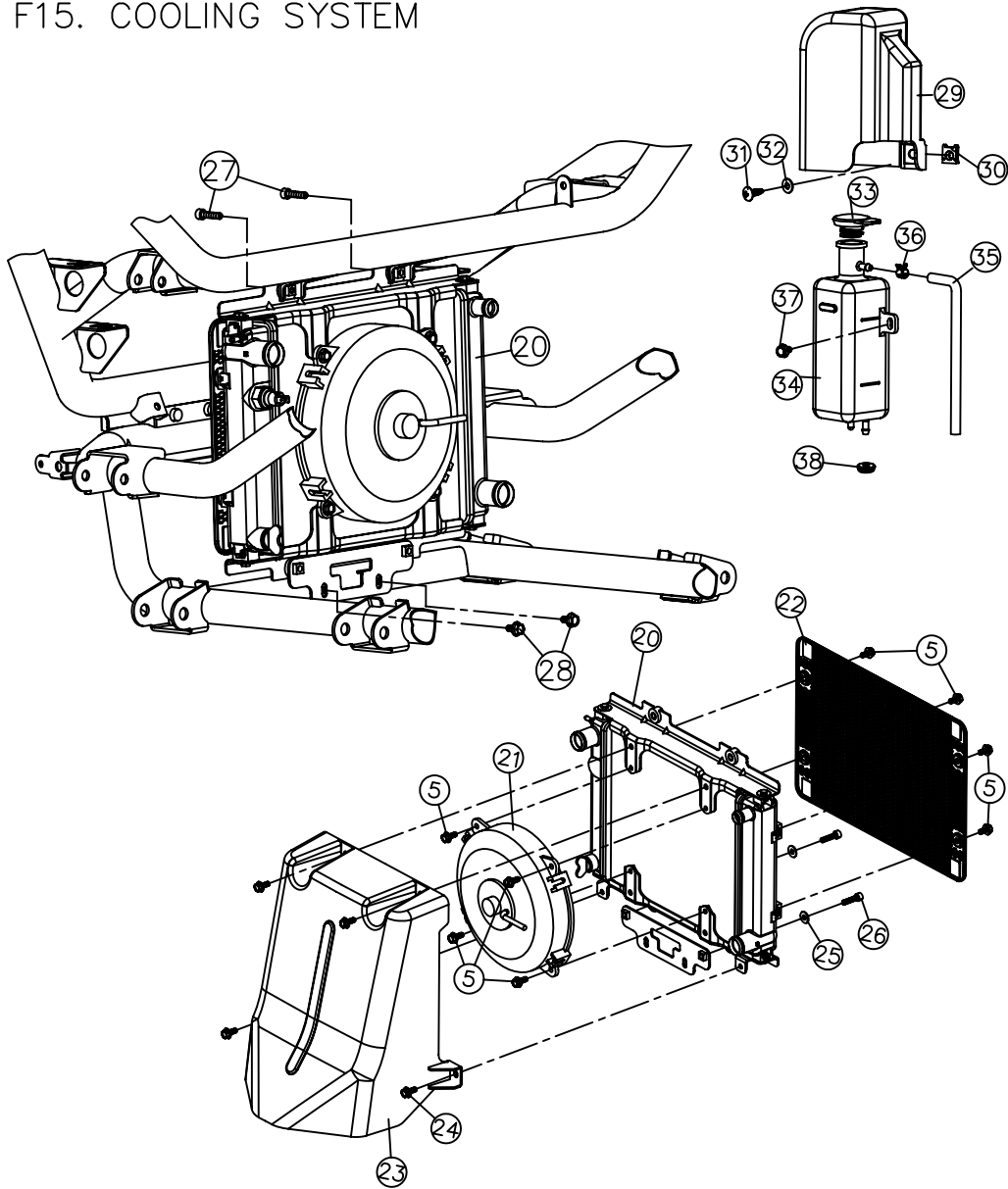
F12. FRONT BUMPER, HEAD LAMP



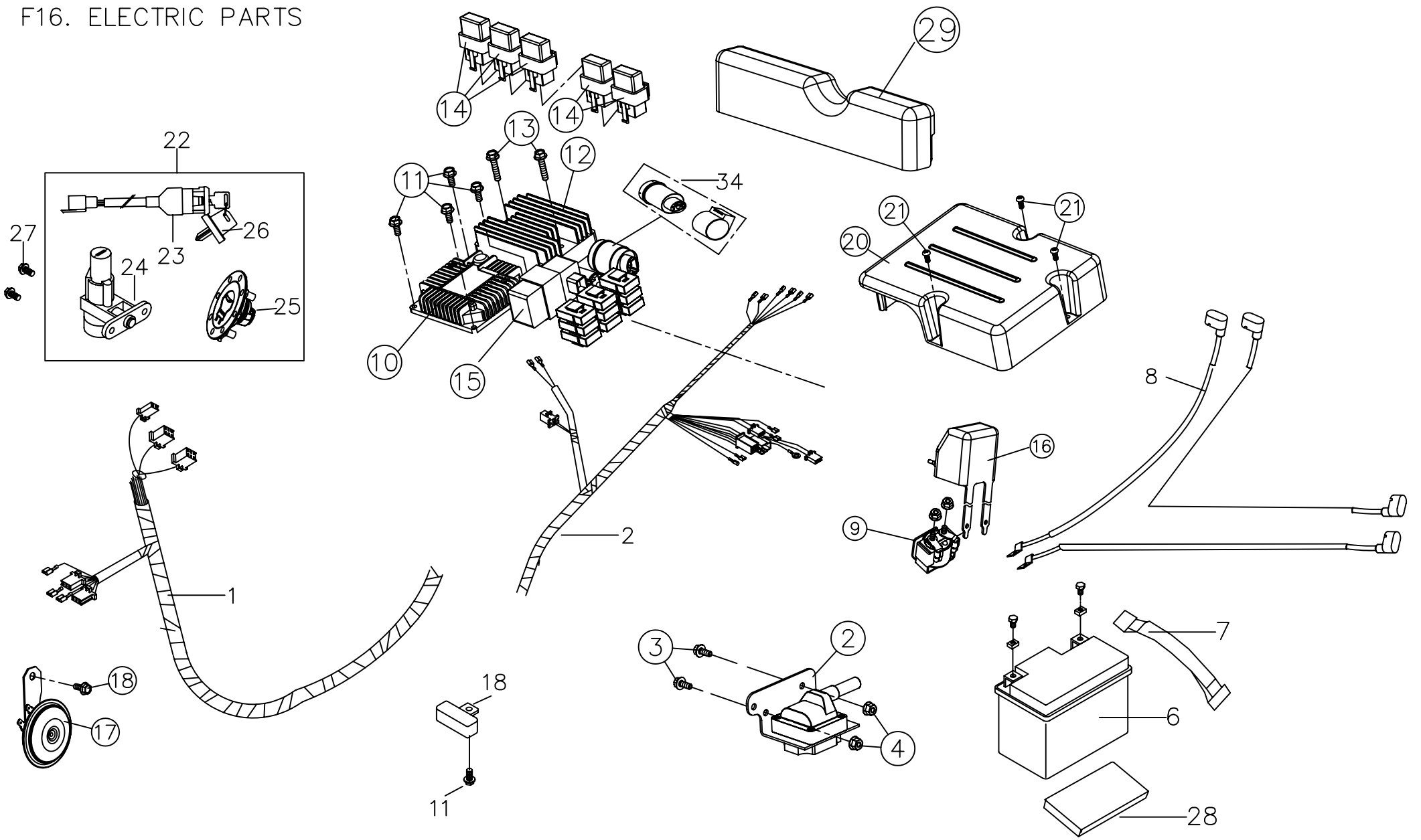
F13. FUEL TANK, PUMP



F15. COOLING SYSTEM



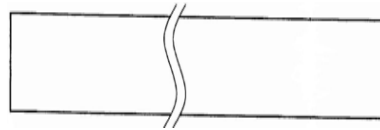
F16. ELECTRIC PARTS



BR-500 LABELS



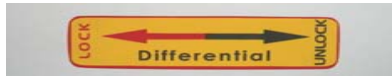
B8601020000



B8601060000



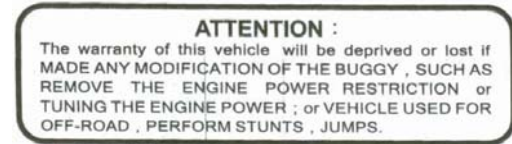
B8601010000



B8601030000



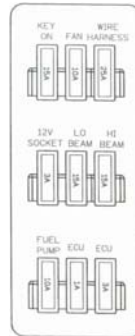
B8603050000



B8603040000



B8601040000



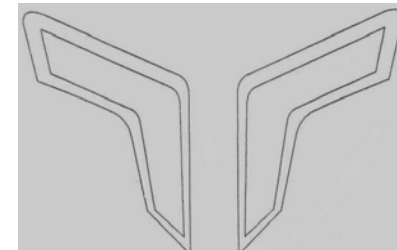
P1603040000



B8601050000



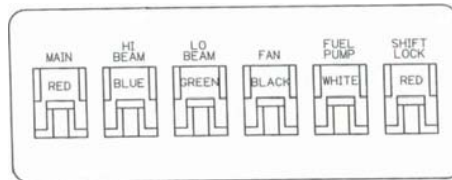
B8603010000



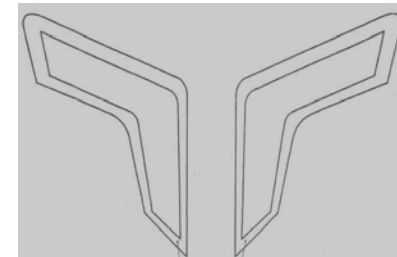
B8601090000



B8603020000



B8601080000



B8601100000



B8603030000

E1.		ENGINE COMPLETE				
Figure	Item	Part No.	Q'ty	Part Name	Remarks	
E1	1	CM1130095	1	engine		
E1	2	497091	1	complete gasket set and oil seals		
E1	3	497090	1	thermic gasket set and oil seals		

E2.		CRANKCASE				
Figure	Item	Part No.	Q'ty	Part Name		Remarks
E2	1	CM1502025002	1	crankcase assy-cm1145215002 u		
E2	1	CM1502025003	1	crankcase assy-class 3x9 500 u		
E2	1	CM1145175004	1	category 4 crankcase 4		
E2	1	CM1502025001	1	category 1 crankcase		
E2	1	CM1502025002	1	category 2 crankcase		
E2	2	000674	1	ring for rear wheel axle (25x26.9x1.2)		
E2	3	006647	1	ring for rear wheel axle (47x50.5x1.75)		
E2	4	239388	2	pin x electrical starter motor-d9.5 h15		
E2	5	411311	2	plug		
E2	6	478115	4	pin vespa gt 125/200		
E2	7	484034	1	nozzle		
E2	8	484993	2	dowel		
E2	9	485912	1	bearing		
E2	10	825233	1	ball bearing		
E2	11	825238	1	o-ring		
E2	12	82656R	2	mag side ball bearing 20x42x12		
E2	13	82668R	2	ball bearing for engine case 17x47x14		
E2	14	827951	4	cylinder stud		
E2	15	829195	1	pulley side seal		
E2	17	833513	2	sidecase studs		
E2	18	833701	1	bearing runner 180 m.02		
E2	19	828114	1	0.4 gasket for case		
E2	20	828909	14	bolt for securing sidecase m6-6gx65 t fla		
E2	21	832130	1	plastic oil dipstick et4 125/mc3 m.02		
E2	22	827085	1	packing		
E2	23	825649	1	nozzle for engine sidecase		
E2	24	564629	1	clamp		
E2	25	834911	1	bracket		

E3.		CRANKSHAFT			
Figure	Item	Part No.	Q'ty	Part Name	Remarks
E3	1	8454815001	1	crankshaft category 1x9 500	
E3	4	000267	1	woodruff key for flywheel	
E3	5	021214	1	nut	
E3	6	841458	1	spacer	
E3	8	848222	1	race for crankshaft	
E3	9	830012	1	steel shim for crankshaft	
E3	10	830129	4	bolt for securing timing gear m6x25 t.s	

E4.		CYLINDER & PISTON SET			
Figure	Item	Part No.	Q'ty	Part Name	Remarks
E4	1	8328120001	1	fc1 piston assy. x9 500	
E4	1	8328120002	1	fc2 piston assy. x9 500	
E4	1	8328120004	1	fc4 piston assy. x9 500	
E4	1	8328120003	1	fc3 piston assy. x9 500	
E4	3	827706	1	piston scraper ring	
E4	4	827707	1	piston scraper ring	
E4	5	827820	1	wristpin for piston	
E4	6	828116	2	wristpin retaining clip	
E4	7	832770	1	piston ring	
E4	8	830275	1	complete cylinder assembly w/piston-mst	
E4	9	830375	1	0.8 cylinder base gasket	
E4	9	830277	1	0.4 cylinder base gasket	
E4	9	830276	1	0.6 cylinder base gasket	
E4	10	288245	2	nut for muffler assy. (m=6/h=7)	
E4	11	82650R	1	bracket-.82650r	
E4	12	847928	1	packing	
E4	12	847928	1	packing	
E4	13	434541	2	screw	

E5.		CYLINDER HEAD				
Figure	Item	Part No.	Q'ty	Part Name		Remarks
E5	1	847793	1	cylinder head assy.(bv-500)		
E5	1	847793	1	cylinder head assy.		
E5	2	285846	8	cone half		
E5	3	436438	4	ning sfera u		
E5	4	826103	4	valve spring		
E5	5	826256	4	lower valve cap		
E5	6	828321	2	exhaust valve for cylinder head		
E5	7	828322	2	breather valve for cylinder head		
E5	8	828396	4	uppver valve cap		
E5	9	827018	2	exhaust stud		
E5	10	827953	2	studd for cylinder head		
E5	11	CM001915	2	clamp		
E5	12	434541	1	screw		
E5	13	063435	1	cap for breather		
E5	14	430045	1	screw		
E5	16	6389915	1	x9 500 speedo sensor		
E5	17	828646	1	oil sensor		
E5	18	840826	1	radiator hose		
E5	19	843603	1	clamp for cylinder hood		
E5	20	848140	1	themostat (bv-500)		
E5	21	830008	1	clinder head gasket		
E5	22	830278	3	screw m6x90 t.e.flange		
E5	23	832783	4	nut for securing cylinder head		
E5	24	178790	4	washer		

E6. CAMSHAFT & ROCKER ARM					
Figure	Item	Part No.	Q'ty	Part Name	Remarks
E6	1	8260285	1	rocker arm assy	
E6	2	827991	2	rocker arm shaft	
E6	3	829198	1	timing gear x9 500	
E6	4	829211	1	encoder for x9	
E6	6	018538	1	screw for camshaft centr. Weights-m5x30	
E6	7	829287	1	bolt for securing decompression bell	
E6	8	829071	1	counter weight	
E6	9	829097	1	bushing for counterweight	
E6	10	829247	1	decompression bell	
E6	11	829252	1	spring for timing shaft	
E6	12	831167	1	plate for cam	
E6	13	8260275	1	upper rocker arm assy.	
E6	14	484819	2	nut	
E6	15	82817R	2	screw	
E6	16	484819	2	nut	
E6	17	82817R	2	screw	

E7.		CYLINDERHAED COVER				
Figure	Item	Part No.	Q'ty	Part Name		Remarks
E7	1	830819	1	cylinder head cover		
E7	2	830248	6	screw		
E7	3	830249	6	buffer		
E7	4	830820	1	cylinder head cover gasket		
E7	5	438073	1	spark plug rg6yc champion-.438073		
E7	5	829981	1	ngk spark plug		

E8.		DRIVING PULLEY				
Figure	Item	Part No.	Q'ty	Part Name		Remarks
E8	1	833291	1	roller container assembly		
E8	2	825381	1	spacer for pulley		
E8	3	830899	8	rollers for pulley		
E8	4	842175	4	shoe for rollers		
E8	5	830901	1	roller cover		
E8	6	834304	1	damping pulley guide		
E8	7	829693	1	bolt for belt stabilizer pulley m8x25 t.		
E8	8	832697	1	half pulley		
E8	9	829205	1	washer 42x18.1x3		
E8	10	829203	1	washer 36x22.05x2		
E8	11	829251	1	spring cup washer		
E8	12	829232	1	nut for securing front pulley assy.		
E8	13	832738	1	transmission v belt for x9 500 beverly		

E9.		CLUTCH PULLEY				
Figure	Item	Part No.	Q'ty	Part Name	Remarks	
E9	1	842559	1	complete clutch assy. W/ pulley for x9		
E9	2	825237	1	o-ring		
E9	3	825384	1	cup for rear pulley spring		
E9	4	825385	1	ring nut for clutch unit		
E9	5	828974	1	stop washer for rear pulley		
E9	6	828978	4	pin for rear pulley shaft		
E9	7	828984	1	pakcing for clutch		
E9	8	831098	1	rear pulley spring		
E9	9	846696	1	rear half pulley		
E9	10	825382	1	circlip		
E9	11	82627R	1	ball bearing 20x37x9		
E9	12	829808	1	needle cage bearing		
E9	13	848843	1	rear half pulley		
E9	14	825239	2	oil seal for rear pulley		
E9	15	840577	1			
E9	19	827116	1	nut for nut for retaining clutch drum		
E9	20	840319	1	washer for clutch drum 22x14.1x1.5		
E9	21	840320	1	washer 30.8x14.15x1.5		
E9	22	825763	1	spacer for clutch drum 17x26x3		
E9	23	825176	1	clutch drum		
E9	24	95583037400	1	SC TYPE OIL SEAL		

E10. ENGINE COVER					
Figure	Item	Part No.	Q'ty	Part Name	Remarks
E10	2	575249	2	screw for fuel tank assy. (m6x22)	
E10	3	825667	1	circlip	
E10	4	840277	1	bearing for sidecase	
E10	5	842355	1	defector inside transmission cover	
E10	6	575249	4	screw for fuel tank assy. (m6x22)	
E10	7	253293	1	clamp	
E10	8	270793	4	self tapping screw (d3.85x16)	
E10	9	833314	1	plastic transmission cover	
E10	10	833318	1	filter for transmission cover	
E10	11	833320	2	sounproof material	
E10	12	833321	2	sounproof material	
E10	19	414834	7	screw	
E10	20	833663	2	screw m8x70t.e.es.10h 8.5	
E10	21	833664	2	screw m8x100t.e.es.10h 8.5	
E10	22	840439	1	block out plug for sidecase	

E11. OIL PUMP ASSY.					
Figure	Item	Part No.	Q'ty	Part Name	Remarks
E11	1	840981	1	oil pump assy.(bv-500)	
E11	2	433477	2	screw for oil pump (m5x30)	
E11	3	847962	1	gasket for oil pump	
E11	3	847962	1	gasket for oil pump	
E11	4	830064	1	oil wall	
E11	5	830061	2	franged hes.head screw(m5x16)	
E11	6	827886	1	chain tensioner guide	
E11	7	830129	1	bolt for securing timing gear m6x25t.s	
E11	8	827882	1	lower chain guid	
E11	9	825737	1	steel spacer for chain guide	
E11	10	827889	1	timing chain	

E12. WATER PUMP ASSY.					
Figure	Item	Part No.	Q'ty	Part Name	Remarks
E12	1	833717	1	waterpump cover	
E12	2	827929	1	waterpump fan	
E12	3	829557	1	washer 16×10×1	
E12	4	828394	1	drive shaft for water pump	
E12	5	497486	1	ring pump	
E12	11	842041	6	screw (m5×16)	
E12	12	827884	1	gasket for waterpump cover	

E13. STARTING MOTOR					
Figure	Item	Part No.	Q'ty	Part Name	Remarks
E13	1	82699R	1	starter motor-. 82699r	
E13	2	82737R	1	starting gear	
E13	5	828109	1	bracket	
E13	7	8321175	1	torque limiter x9 500 u	
E13	8	584843	1	cable	
E13	11	584304	1	wiring loom \ hamess bv-500	
E13	12	828152	2	screw	
E13	13	015715	3	screw m5x12	
E13	14	969296	1	screw	
E13	15	006966	1	washer for brake disc (5.3x20x0.5)	

E14. GENERATOR					
Figure	Item	Part No.	Q'ty	Part Name	Remarks
E14	1	58040R	1	magneto and stator assy. (flywheel assy)	
E14	2	58080R	1	stator plate bv-500	
E14	3	000097	1	key	
E14	4	825725	1	flywheel securing washer 30x14.1x3	
E14	5	827116	1	nut for nut for retaining clutch drum	
E14	6	479515	6	washer 9.9x6.1x3.5	
E14	7	8313225	1	flywheel assy.	
E14	8	840893	6	nut for securing flywheel m6x25 t.c.e.	
E14	9	122637	3	screw m6x30 t.c.e. i	

E15. OIL FILTER					
Figure	Item	Part No.	Q'ty	Part Name	Remarks
E15	1	871048	1	flywheel case cover x9	
E15	2	847649	1	gasket for flywheel cover	
E15	2	847649	1	gasket for flywheel cover	
E15	3	411311	1	plug	
E15	4	825577	1	oil seal 8x16x7	
E15	5	825665	1	oil dip stick x9	
E15	6	479986	1	packing for oil pan plug (lower)	
E15	7	826033	1	oil filter	
E15	8	288474	1	packing for oil filter (20.35x1.78)	
E15	9	82823R	1	oil filter plug (bv-500)	
E15	10	285536	1	oil seal for oil filter	
E15	11	434429	1	screw	
E15	12	414837	3	screw for electrical starter motor-m6x25	
E15	13	414838	9	screw	
E15	14	414835	1	screw	
E15	15	584464	1	spring	
E15	16	849825	1	clamp	
E15	17	845978	1	clamp	
E15	18	829047	1	breatehr tube for crankase	
E15	19	015715	1	screw m5x12	
E15	20	237553	1	o-ring for breather	
E15	21	82658R	1	x9 oil cartridge	
E15	22	830886	1	plate for stator	
E15	23	018575	2	screw for outer h.t. coil (m5x10)	
E15	24	828930	1	panel for valve	
E15	25	433800	2	screw	

E15.		OIL FILTER				
Figure	Item	Part No.	Q'ty	Part Name	Remarks	
E15	26	486075	1	washer		
E15	27	829661	1	oil pressure valve leader 125/180 .04/02		
E15	28	829486	1	oil pressure valve release spring		
E15	29	8290405	1	timing plug assembly		
E15	30	479986	1	packing for oil pan plug (lower)		
E15	31	82580R	1	oil temperature sensor master + leader		
E15	32	82778R	1	reed case bracket		
E15	33	497486	1	ceramic insert		
E15	34	497486	1	ring pump		

E16. REDUCTION GEARS					
Figure	Item	Part No.	Q'ty	Part Name	Remarks
E16	1	8320525	1	transmission cover x9	
E16	2	829206	1	circlip	
E16	3	82659R	1	radial bearing	
E16	4	829201	1	oil seal 38x50x7	
E16	5	82660R	1	bearing for transfer gear 20x52x15	
E16	6	830198	4	screw m8x50 t.e.flange	
E16	7	487948	3	clamp	
E16	8	828911	3	screw m8-6gx35 t.flange	
E16	9	840733	1	breather pip for gearbox	
E16	10	847963	1	gasket for gearbox cover	
E16	10	847963	1	gasket for gearbox cover	
E16	11	8324875	1	transfer gear	
E16	12	8342335	1	driven pulley shaft	
E16	13	8347705	1	rear wheel shaft	
E16	14	269755	1	screw (m8x12)	
E16	15	485703	1	washer (brake-shoes)	

E17.		THROTTLE BODY				
Figure	Item	Part No.	Q'ty	Part Name	Remarks	
E17	1	826000	1	plastic throttle body x9 500		
E17	2	830061	1	franged hes.head screw(m5×16)		
E17	3	830062	1	union pipe		
E17	4	8304275	1	fuel injector with support		
E17	5	289731	3	screw for electrical starter motor-m6×30		
E17	6	414837	3	screw for electrical starter motor-m6×25		

E18. AIR CLEANER ASSY.					
Figure	Item	Part No.	Q'ty	Part Name	Remarks
E18	1	833084	1	air cleaner assy. (bv-500)	
E18	2	260918	1	clamp	
E18	3	CM001913	1	clamp	
E18	4	CM002908	1	clamp	
E18	5	258146	9	screw	
E18	6	829258	1	air filter b125	
E18	7	829259	1	packing	
E18	8	829543	1	pipe b 125	
E18	9	830015	1	clamp	
E18	10	830056	4	bush	
E18	12	834710	1	bv-500 intake sleeve for aibox	
E18	13	965502	1	airbox cover spacer	
E18	14	270793	2	self tapping screw (d3.85x16)	
E18	15	CM001907	2	clamp radiator hose runner 180 2t m.02	
E18	16	840743	1	oil tube	
E18	17	016406	1	washer	
E18	18	030052	1	screw	
E18	19	003056	1	washer for starter relay (6.4x12x1)	
E18	20	012533	2	washer for rear mudguard (6.4x11x0.5)	
E18	21	015761	1	screw for airbox (m6x50) hexag. bv.-500	
E18	22	016670	1	washer 12x4.5x1	
E18	23	018640	1	screw for air cleaner fitting (m6x50)	
E18	24	254485	2	plate for stator	
E18	25	258146	1	screw	
E18	26	833628	1	stirrup	

F1. SOLENDID VALVE ASSY.					
Figure	Item	Part No.	Q'ty	Part Name	Remarks
F1	1	B80631700000	1	BREATHER PIPE COVER	
F1	2	B84510106000	1	REVERSE GEAR FIXED HOLDER COMP.(E.D)	
F1	3	92061200000	2	LOCK NUT(M12*1.25P)	
F1	4	B84510206000	1	REVERSE GEAR HOLDER FIXED PEDESTAL	
F1	5	90211007000	1	HEXAGON SCOKET HEAD CAP SCREW	
F1	6	90211007000	2	HEXAGON SCOKET HEAD CAP SCREW	
F1	7	B81440000000	1	GRAR BOX ASSY	
F1	8	B81441100000	1	SOCKET NUT	
F1	9	90191005003	2	HEXAGON FLANGE BOLT (M10*1.25P	
F1	9	B84861300000	1	ENGINE HANGER SUPPORT	
F1	10	B80631600000	4	SCREW	
F1	11	90190601200	2	HEXAGON FLANGE BOLT(M6*1.0P*12L)	
F1	18	90190601200	2	HEXAGON FLANGE BOLT(M6*1.0P*12L)	
F1	12	B82625000000	1	bracket A/C	
F1	13	90190602501	1	HEXAGON FLANGE BOLT(M6*1.0P*25L)	
F1	23	90100601500	4	SCREW OVAL	
F1	14	92040600001	1	HEXAGON FLANGE NUT	
F1	15	B80711400000	1	ventilation pipe	
F1	16	92221000001	2	CLIP	
F1	17	B80631800000	1	BREATHER COVER BRACKET	
F1	19	92061000000	1	U TYPE FLANGE NUT(M10*1.25P)	
F1	21	B84510400000	1	GEAR SHIFTING CABLE	
F1	22	B81445500000	1	COVER.GEAR SHITING YOKE	
F1	24	B81442410000	1	LOWER PAWL PLATE	
F1	25	B81442500000	1	SLIDE	
F1	26	B81445910000	1	TOP COVER CABLE	
F1	27	92140800007	1	PLAIN WASHER	
F1	28	90190801201	1	HEXAGON FLANGE BOLT (M8*12L)	

F1.		SOLENOID VALVE ASSY.				
Figure	Item	Part No.	Q'ty	Part Name	Remarks	
F1	29	B81445700000	1	PLAT		
F1	30	90190601200	1	HEXAGON FLANGE BOLT(M6*1.0P*12L)		
F1	31	B81442700000	1	TOP COVER		
F1	32	90190601200	3	HEXAGON FLANGE BOLT(M6*1.0P*12L)		
F1	33	B81446000000	1	SOLENOID BRACKET		
F1	34	B81446200000	1	SOLENOID		
F1	35	B85860100000	1	neutral position sensor		
F1	36	B81446110000	1	SOLENOID COVER		
F1	39	B81446610000	1	PACKING, SOLENOID COVER		
F1	37	90040601400	6	CR PAN HD MACHINE SCREW(M6*14L)		
F1	38	B81446300000	1	PLATE		
F1	39	B81446700000	1	BREATHING PIPE		

F2. ENGINE HANGER, MUFFLER					
Figure	Item	Part No.	Q'ty	Part Name	Remarks
F2	1	B84860007700	1	ENGINE HANGER ASSY.	
F2	2	B84861500000	2	SPACER	
F2	3	B87010500000	1	PLASTIC PLUG	
F2	4	90191224500	1	HEXAGON FLANGE BOLT	
F2	5	B87060200000	2	SHOCKPROOF PEDESTAL COMP.	
F2	6	92060800000	4	HEXAGON FLANGE NUT (LOOSEPROOF	
F2	7	90191212500	2	HEXAGON FLANGE BOLT	
F2	8	90190805001	2	HEXAGON FLANGE BOLT (M8*45L)	
F2	9	90190801500	1	HEXAGON FLANGE BOLT (M8*15L)	
F2	10	B77010300000	3	PLASTICS PLUG	
F2	11	X2144290000	2	PLASTICS PLUG	
F2	12	B82810200000	1	SEAL BETWEEN MUFFLER AND HEAD	
F2	13	B82811000001	1	front section muffler	
F2	14	92050800000	2	HEXAGON CAP NUT	
F2	15	B82815000000	1	MUFFLER ASSY,RR SECTION	
F2	16	90191002600	1	HEXAGON FLANGE BOLT	
F2	17	90191004003	1	HEXAGON FLANGE BOLT	
F2	18	92141000007	2	WASHER(21D*2T)	
F2	19	92141200005	1	WASHER	
F2	20	92061200001	1	LOCK NUT	
F2	21	B87060200000	10	SHOCKPROOF PEDESTAL COMP.	
F2	22	90190801500	2	HEXAGON FLANGE BOLT (M8*15L)	
F2	23	B82810700000	1	CLOSED GASKET	
F2	24	B82810800000	1	CONNECTOR ASSY	
F2	25	B82810100003	1	HEAT PROTECTOR	
F2	26	90050601500	3	CR PAN HD. SCREW	
F2	27	92140600024	3	WASHER(TEMPERATURE-ENDURING)	
F2	28	B82815110000	1	SOCKET, MUFFLER ASSY	

F3.		PLASTIC COVERS				
Figure	Item	Part No.	Q'ty	Part Name	Remarks	
F3	1	B86250002R00	1	Ceiling Cover(orange 2R)		
F3	1	B86250006900	1	Ceiling Cover(benz-black 69)		
F3	1	B86250007100	1	Ceiling Cover(white 71)		
F3	2	90200601800	4	BOLT WITH WASHER		
F3	3	B87010900000	2	Ceiling Cover Rubber Mat		
F3	4	B86250202R00	1	REAR BODY COVER,LH(orange 2R)		
F3	4	B86250206900	1	REAR BODY COVER,LH(benz-black 69)		
F3	4	B86250207100	1	REAR BODY COVER,LH(white 71)		
F3	5	B86340006500	1	REAR FENDER,LH		
F3	6	B87060100000	1	BRACKET,REAR BODY COVER,LH		
F3	7	90130501400	6	CR ROUND HD TAPPING SCREW		
F3	8	B862E0202R00	1	REAR BODY COVER,RH(orange 2R)		
F3	8	B862E0206900	1	REAR BODY COVER,RH(benz-black 69)		
F3	8	B862E0207100	1	REAR BODY COVER,RH(white 71)		
F3	9	B863D0006500	1	REAR FENDER,RH		
F3	10	B870F0100000	1	BRACKET,REAR BODY COVER,RH		
F3	11	B86250106800	1	LEFT COVER		
F3	12	B862E0106800	1	RIGHT COVER		
F3	13	B86310106500	1	LEFT DOWN FENDER		
F3	14	B86310002R00	1	LEFT UP FENDER(orange 2R)		
F3	14	B86310006900	1	LEFT UP FENDER(benz-black 69)		
F3	14	B86310007100	1	LEFT UP FENDER(white 71)		
F3	15	B86310200000	1	DOWN FENDER FIEXD BRACKET		
F3	16	90130501400	10	CR ROUND HD TAPPING		
F3	17	B84210500000	1	PLATE SIDE LH		
F3	18	B842A0500000	1	PLATE SIDE RH		
F3	19	B863A0106500	1	RIGHT DOWN FENDER		

F3.		PLASTIC COVERS				
Figure	Item	Part No.	Q'ty	Part Name	Remarks	
圖號	項次	件號	用量	英文名稱	備註	
F3	20	B863A0002R00	1	RIGHT UP FENDER(orange 2R)		
F3	20	B863A0006900	1	RIGHT UP FENDER(benz-black 69)		
F3	20	B863A0007100	1	RIGHT UP FENDER(white 71)		
F3	21	B863A0200000	1	DOWN FENDER FIEXD BRACKET		
F3	22	B86210002R00	1	WINDSHIELD,FRT ABOVE(orange 2R)		
F3	22	B86210006900	1	WINDSHIELD,FRT ABOVE(benz-black 69)		
F3	22	B86210007100	1	WINDSHIELD,FRT ABOVE(white 71)		
F3	23	B86210106800	1	WINDSHIELD,FRT LOWER		
F3	24	E9666080000	3	FIXED PLATE		
F3	25	90130501400	3	CR ROUND HD TAPPING		

F4.		FRAMES				
Figure	Item	Part No.	Q'ty	Part Name		Remarks
F4	1	B84210907700	1	NON-ROLL TUBE COMP.LH SIDE		
F4	2	B842A1907700	1	NON-ROLL TUBE COMP.LH SIDE		
F4	3	B84211007700	1	UP ACROSS TUBE COMP.		
F4	4	B84211800000	4	WASHER PIPE B		
F4	5	90191006001	2	HEXAGON FLANGE BOLT		
F4	6	92061000004	2	HEXAGON FLANGE NUT		
F4	7	B86170000000	1	INTERIOR MIRROR ASSY		
F4	8	90211003000	4	HEXAGON SCOKET HEAD CAP SCREW		
F4	9	B84211800000	4	WASHER PIPE B		
F4	10	90191006001	2	HEXAGON FLANGE BOLT		
F4	11	92061000004	2	HEXAGON FLANGE NUT		
F4	12	B86160000000	1	BACK MIRROR COMP		
F4	12-1	B861F0100000	1	LH BACK MIRROR		
F4	12-1	B861F0200000	1	RH BACK MIRROR		
F4	13	B57012300000	1	TOOL BOX		
F4	14	90190601200	2	HEXAGON FLANGE BOLT(M6*1.0P*12L)		
F4	15	B86710000000	1	DRIVER SEAT ASSY.		
F4	16	B86710100000	1	PASSENGER SEAT ASSY.		
F4	17	92110800000	8	SPRING WASHER(8D*14D*2.2T)		
F4	18	92040800001	8	HEXAGON FLANGE NUT (M8)		
F4	19	B86710200000	2	BELT.SAFETY		
F4	20	B84210007700	1	FRAME ASSY		
F4	21	90211003000	12	HEXAGON SCOKET HEAD CAP SCREW		
F4	22	B84211600000	1	WASHER PIPE A		
F4	23	B84211500000	1	BUSH PIPE		
F4	24	90211006500	1	HEXAGON SCOKET HEAD CAP SCREW		
F4	25	B84211107700	2	LH NON-ROLL FIXED TUBE COMP.		
F4	26	B84217610000	1	FRAME BOTTOM PLATE (A). LEFT		
F4	27	B842A7610000	1	FRAME BOTTOM PLATE (A). RIGHT		
F4	28	90190601500	8	HEXAGON FLANGE BOLT (M6*15L)		
F4	29	B87065400000	1	TOOL KIT ASSY.		R500歐規_96040

F5.		WHEELS				
Figure	Item	Part No.	Q'ty	Part Name		Remarks
F5	1	B84011006000	4	RIM.FR		
F5	2	P140B3300001	4	TIRE VALVE		
F5	3	B840B3200000	2	FR.TIRE ASSY(ON ROAD)		ON ROAD
F5	3	B840B3200001	2	FR.TIRE ASSY(OFF ROAD)		OFF ROAD
F5	4	B840G3200000	2	RR.TIRE ASSY(ON ROAD)		ON ROAD
F5	4	B840G3200001	2	RR.TIRE ASSY(OFF ROAD)		OFF ROAD
F5	5	92051000003	16	LUG NUT. CAP		
F5	6	B87010300000	4	DUSTPROOF COVER		
F5	10	B87061000000	1	BALANCE BRACKET		
F5	7	X0445020000	4	BUSH,STEERING SHAFT		
F5	8	X0445010000	8	STEERING AXLE HOLDER		
F5	9	90190806000	8	HEXAGON FLANGE BOLT(M8*60L)		

F6.		CONTROL CABLES				
Figure	Item	Part No.	Q'ty	Part Name		Remarks
F6	1	B85446000000	1	THROTTLE CABLE		
F6	2	B84510700000	1	REVERSE GEAR PULL-WIRE-DISH COMP.		
F6	3	B84510900000	1	BUSHE		
F6	4	X2451050000	1	COMPRESSING SPRING		
F6	5	92140600017	2	WASHER		
F6	6	90190804003	1	Hexagon Flange Bolt		
F6	7	92040600000	2	HEXAGON FLANGE NUT (M6*1.0P)		
F6	8	B84510800000	1	DIFFERENTIAL LOCK CABLE		
F6	9	B84510300000	1	GEAR SHAFTING ASSY.		
F6	10	90210801201	3	HEXAGON SCOKET SCREW		
F6	11	B84510400000	1	GEAR SHIFTING CABLE		
F6	12	B84510000000	1	LEVER ASSY.PARKING BRAKE		
F6	13	90190601500	1	HEXAGON FLANGE BOLT (M6*15L)		
F6	14	B87010700000	2	SNAP PLUG		
F6	15	B85440010000	2	CABLE ASSY. RR BRAKE		
F6	16	B84510800000	1	DIFFERENTIAL LOCK CABLE		
F6	21	90190601500	4	HEXAGON FLANGE BOLT (M6*15L)		
F6	23	B84511600000	1	PACKING, DIFFERENTIAL CABLE		

F7.		BRAKE SYSTEM				
Figure	Item	Part No.	Q'ty	Part Name		Remarks
F7	1	B8403000000	1	MASTER CYLINDER		
F7	2	B84037000000	1	BACK BREAK TUBE		
F7	3	B84036100000	1	FR, RIGHT BRAKE FLUID HOSE COMP		
F7	4	B84036000000	1	FR, LEFT BRAKE FLUID HOSE COMP		
F7	5	92141000002	6	WASHER(10D*15D*1.5T)		
F7	6	P14038110000	2	JOINT BOLT,BRAKE HOSE		
F7	7	90190802600	2	HEXAGON FLANGE BOLT (M8*26L)		
F7	8	92040800001	2	HEXAGON FLANGE NUT (M8)		
F7	9	90190805500	3	HEXAGON FLANGE BOLT		
F7	10	92060800000	3	HEXAGON FLANGE NUT (LOOSEPROOF		
F7	11	B84042700000	1	PADDLE ASSY,ACC		
F7	12	B84042800000	1	PADDLE ASSY,BRAKE		
F7	13	B84042500000	2	TORSION SPRING		
F7	14	B84042600000	1	PEDAL FIXED BOLT		
F7	15	93520303200	2	COTTER PIN		
F7	16	93540802500	1	LOCK PIN		
F7	17	93520202000	1	COTTER PIN		
F7	18	90190602002	1	HEXAGON FLANGE BOLT(M6*20L)		
F7	19	B85849000000	1	BRAKING SENSOR		

F8.		STEERING MECHANISM				
Figure	Item	Part No.	Q'ty	Part Name		Remarks
F8	1	B844E0600000	1	STEERING AXLEL(RH)		
F8	2	B84450700000	1	FIXED PLATE		
F8	3	B84451100000	1	BALL JOINT		
F8	4	92173400000	1	CRI CLIP EXTERNAL (34*1.5T)		
F8	5	92110800000	4	SPRING WASHER(8D*14D*2.2T)		
F8	6	90190802001	4	HEXAGON FLANGE BOLT(M8*20L)		
F8	7-1	B844E1200000	1	RH TURING RESTRICTION PLATE		
F8	7-2	B84451200000	1	LH TURING RESTRICTION PLATE		
F8	8	90190601500	2	HEXAGON FLANGE BOLT (M6*15L)		
F8	9	B84041000000	2	FRONT HUB ASSY.		
F8	10	B84035000000	1	BRAKE DISC		
F8	11	C1403510000	8	SCREW, FR BRAKE DISK		
F8	12	B86120100000	1	TURN MECHANISM ASS,Y		
F8	13	90191004000	3	HEXAGON FLANGE BOLT (M10*1.25P*40L)		
F8	14	92091000000	2	SLOTING LOCK NUT		
F8	15	93520303200	2	COTTER PIN		
F8	16	B86120300000	1	TURN BASE		
F8	17	90190801500	2	HEXAGON FLANGE BOLT (M8*15L)		
F8	18	B86120200000	1	CONNECT SHAFT, UNIVERSAL JOINT		
F8	19	90210802500	2	HEXAGON SCOKET HD. CAP BOLT(M8*25L)		
F8	21	B85490000000	1	A TURN SIGNAL SYNTHETIC SWITCH COMBINATION		
F8	22	B86120000000	1	steering wheel		
F8	23	92061200001	1	LOCK NUT		
F8	24	B86120100000	1	TURN MECHANISM ASS,Y		
F8	25	90210802500	2	HEXAGON SCOKET HD. CAP BOLT(M8*25L)		
F8	26	B84450600000	1	STEERING AXLEL(LH)		
F8	27	92021000001	2	NUT		
F8	28	90190802001	4	HEXAGON FLANGE BOLT(M8*20L)		
F8	29	B86120600000	1	HANDEL COVER		

F9.		SWING ARMS				
Figure	Item	Part No.	Q'ty	Part Name	Remarks	
F9	1	B844G0007700	1	A-ARM ASSY. LOWER,FR		
F9	2	B844G1007700	1	UPPER A ARM (R)		
F9	3	90191207500	4	HEXAGON FLANGE BOLT		
F9	4	92061200000	4	LOCK NUT(M12*1.25P)		
F9	5	B84033100000	1	CALIPER ASS'Y-FR BRAKE		
F9	5-1	B840C3400000	1	INNER BRAKE PAD		
F9	5-2	B840C3500000	1	OUTER BRAKE PAD		
F9	6	92091200002	2	SLOTTING LOCK NUT		
F9	7	93520303200	2	COTTER PIN		
F9	8	B84710002R01	2	FRONT SUSPENSION (orange)		
F9	8	B84710000001	2	FRONT SUSPENSION (red)		
F9	9	90191205501	2	HEXAGON FLANGE BOLT		
F9	10	92061200000	2	LOCK NUT(M12*1.25P)		
F9	11	B84470007700	1	UPPER A ARM (L)		
F9	12	B84471007700	1	A-ARM ASSY. UPPER,FL		
F9	13	B84041000000	2	FRONT HUB ASSY.		
F9	14	B84035000000	2	BRAKE DISC		
F9	15	C1403510000	8	SCREW, FR BRAKE DISK		
F9	16	B84033000000	1	CALIPER ASS'Y-FL BRAKE		
F9	16-1	B840C3400000	1	INNER BRAKE PAD		
F9	16-2	B840C3500000	1	OUTER BRAKE PAD		
F9	17	90210802002	4	HEXAGON SCOKET SCREW		
F9	18	92141200005	2	PLAIN WASHER		

F10. DRIVING SHAFT, ABSORBERS					Remarks
Figure	Item	Part No.	Q'ty	Part Name	
F10	1	B84830007700	1	SWING ARM DOWN. LH	
F10	2	B848C0007700	1	SWING ARM DOWN. RH	
F10	3	B84831300000	2	SWING ARM SPACER TUBE	
F10	4	90191628001	2	HEXAGON FLANGE BOLT	
F10	5	92061600000	2	U TYPE FLANGE NUT	
F10	6	B84810002R01	2	REAR SUSPENSION (orange)	
F10	6	B84810000001	2	REAR SUSPENSION (red)	
F10	7	90191205501	4	HEXAGON FLANGE BOLT	
F10	8	92061200000	4	LOCK NUT(M12*1.25P)	
F10	9	B87060500000	2	DRIVING GEAR ASSY	
F10	10	B87060800000	2	DRIVING GEAR BUSH	
F10	11	92091800000	2	SLOTING LOCK NUT	
F10	12	93520303200	2	COTTER PIN	
F10	13	B87060400000	1	FIXED PLATE SENSOR	
F10	14	B556A030000	1	MAGNETIC	
F10	15	90190501201	2	HEXAGON FLANGE BOLT (M5*12L)	
F10	16	B84035000000	2	BRAKE DISC	
F10	17	C1403510000	8	SCREW, FR BRAKE DISK	
F10	18	B84071300000	2	REAR HUB BODY ASSY.	
F10	19	B84071200000	2	HUB INNER SEAT ASSY, REAR	
F10	20	B84066000000	1	CALIPER ASS'Y-RL BRAKE	
F10	20-1	B840F6400000	1	INNER BRAKE PAD	
F10	20-2	B840F6500000	1	OUTER BRAKE PAD	
F10	21	90210802002	4	HEXAGON SCOKET SCREW	
F10	22	92061000000	8	U TYPE FLANGE NUT(M10*1.25P)	
F10	23	B84066200000	1	MECHENICAL BREAKING CLIPPER(L)	
F10	23-1	B840F0500000	1	INNER BRAKE PAD	
F10	23-2	B840F0400000	1	OUTER BRAKE PAD	

F10. DRIVING SHAFT, ABSORBERS					
Figure	Item	Part No.	Q'ty	Part Name	Remarks
F10	24	B84033300000	4	HEXAGON FLANGE BOLT	
F10	25	B87010800000	1	SNAP BUSHING	
F10	26	B84066100000	1	CALIPER ASS'Y-RR BRAKE	
F10	26-1	B840F6400000	1	INNER BRAKE PAD	
F10	26-2	B840F6500000	1	OUTER BRAKE PAD	
F10	27	B840F6200000	1	MECHENICAL BREAKING CLIPPER(R)	
F10	27-1	B840F0500000	1	INNER BRAKE PAD	
F10	27-2	B840F0400000	1	OUTER BRAKE PAD	
F10	28	B84831400000	4	AUTOMATIC OILING BUSH	

F11. REAR RACK					
Figure	Item	Part No.	Q'ty	Part Name	Remarks
F11	1	B86760007700	1	REAR CARGO RACK	
F11	2	B86660000000	2	TAIL LIGHT ASS'Y	
F11	2-1	98311221051	2	TAIL LIGHT BULB(21/5 W)	
F11	3	B86670000000	2	WINKER LIGHT ASS'Y	
F11	3-1	98211221991	2	BULB (21W)	
F11	4	90040502000	8	CR PAN HD MACHINE SCREW(M5*20L)	
F11	5	C16690000001	2	SIDE REFLECTOR	
F11	6	92040600000	2	HEXAGON FLANGE NUT (M6*1.0P)	
F11	7	P56669000001	1	LICENCE LAMP ASSY	
F11	7-1	P566F960000	1	BULB, LICENCE LAMP	
F11	7-2	P566F910000	1	COVER, LICENCE LAMP	
F11	8	90110401200	2	CR PAN HD TAPPING SC	
F11	9	B87010400000	1	COVER,LICENCE LAMP ASSY.	
F11	10	90190801200	3	HEXAGON FLANGE BOLT (M8*12L)	
F11	11	90190807500	1	HEXAGON FLANGE BOLT (M8*75L)	
F11	12	92060800000	1	HEXAGON FLANGE NUT (LOOSEPROOF	
F11	13	B84220007700	1	RR.BULWARK PIPE COMP	
F11	14	90191014500	1	HEXAGON FLANGE BOLT	
F11	15	92061000000	1	U TYPE FLANGE NUT(M10*1.25P)	
F11	16	90190807000	2	HEXAGON FLANGE BOLT	
F11	17	92060800000	2	HEXAGON FLANGE NUT (LOOSEPROOF	
F11	18	B86669000000	1	tertiary brake lamp (RED)	
F11	18-1	B866F0100000	1	SHELL (RED)	
F11	18-2	B866F0500000	1	BULB (16W)	
F11	18	B86669000001	1	tertiary brake lamp (BLACK)	
F11	18-1	B866F0100001	1	SHELL (BLACK)	
F11	18-2	B866F0500000	1	BULB (16W)	
F11	18	B85816400000	1	rubber plug	/o tertiary brake
F11	19	90040502000	2	CR PAN HD MACHINE SCREW(M5*20L)	
F11	20	92140500002	2	PLAIN WASHER	
F11	21	92020500000	2	HEXAGON NUT (M5*0.8P)	

F12. FRONT BUMPER, HEADLAMP					
Figure	Item	Part No.	Q'ty	Part Name	Remarks
F12	1	B86610000000	2	HEAD LIGHT ASS'Y(35w/35w)	
F12	1-1	98151235351	2	HEAD LAMP BULB(35w/35w)	
F12	1-2	98141205001	2	POSITION LAMP(5w)	
F12	2	B866A0000000	2	HEAD LIGHT ASS'Y(w/o position lamp)	
F12	3	P066H0106502	1	RR SIGNAL LAMP ASSY,RH	
F12	4	P066G0106502	1	RR SIGNAL LAMP ASSY,LH	
F12	4-1	P066C0300002	2	SIGNAL LAMP COVER	
F12	4-2	98211210990	2	BULB	10W, YELLOW
F12	5	92040600000	2	HEXAGON FLANGE NUT (M6*1.0P)	
F12	6	B87060307700	1	PROTECT PLANK, FRONT	
F12	7	90190801200	2	HEXAGON FLANGE BOLT (M8*12L)	
F12	8	90190802001	2	HEXAGON FLANGE BOLT (M8*20L)	

F13. TANK, PUMP					
Figure	Item	Part No.	Q'ty	Part Name	Remarks
F13	1	B85215000000	1	FUEL TANK	
F13	2	B852A8200000	1	PACKING	
F13	3	B85218000000	1	FUEL PUMP COMP	
F13	4	B852A8100000	1	FUEL PUMP CAP	639044
F13	5	B85214100000	1	HEAT INSULATION ALUMINUM FOIL	
F13	6	90190802001	2	HEXAGON FLANGE BOLT(M8*20L)	
F13	7	B87060900000	2	clip	
F13	8	B85213100000	1	GAS CAP	
F13	9	B85260100000	1	GAS CAP CONNECTING PIPE	
F13	11	90040501200	4	CR PAN HD MACHINE SCREW(M5*12L)	
F13	12	B85213000000	1	tank cover comp	
F13	13	90210602501	4	HEXAGON SCOKET SCREW	
F13	14	B85260300000	1	GASOLINE HOSE(B)	
F13	15	B85260200000	1	GASOLINE HOSE(A)	
F13	16	B85215400000	1	OIL TANK	
F13	17	90190601200	3	HEXAGON FLANGE BOLT(M6*1.0P*12L)	
F13	18	B85215200000	1	TANK BRACKET(A)	
F13	19	B85215300000	1	TANK BRACKET(B)	
F13	20	90190801200	2	HEXAGON FLANGE BOLT (M8*12L)	
F13	21	B85214000000	3	RUBBER MAT	
F13	22	90190801500	2	HEXAGON FLANGE BOLT (M8*15L)	

F14. DASHBOARD, SWITCHES					
Figure	Item	Part No.	Q'ty	Part Name	Remarks
F14	1	B86140106500	1	PLATE BOTTOM SPEEDMETER	
F14	2	B5582610000	1	SPARK SWITCH	
F14	3	B85610000000	1	SPEEDMETER ASSY.	
F14	4	B5582610000	1	SPARK SWITCH	
F14	5	B5583040000	1	SWITCH	
F14	6	B87010600000	1	WATER METER BUSH	
F14	7	B85011100000	1	WATER METER	
F14	9	92370500003	2	U TYPE SPRING NUT	
F14	10	90150501600	1	CR TRUSS HD TAPPING SCREW (M5*16L)	
F14	11	90150501600	3	CR TRUSS HD TAPPING SCREW (M5*16L)	
F14	12	B86130106500	1	SPEEDOMETER COVER (L)	
F14	13	92370500003	3	U TYPE SPRING NUT	
F14	14	90190601200	3	HEXAGON FLANGE BOLT(M6*1.0P*12L)	

F15.		COOLING SYSTEM				
Figure	Item	Part No.	Q'ty	Part Name		Remarks
F15	1	B85010100000	1	WATER PIPE		
F15	2	B87060700000	2	CLIP		
F15	3	B85011000000	1	WATER CONNECTING PIPE(2)		
F15	4	B85010400000	1	WATER PIPE		
F15	5	B87060700000	1	CLIP		
F15	6	B85010200000	1	WATER PIPE		
F15	7	B87060600000	1	CLIP		
F15	8	B85010900000	1	WATER CONNECTING PIPE(1)		
F15	9	B85010300000	1	WATER PIPE		
F15	10	B87060600000	1	CLIP		
F15	11	B87060700000	1	CLIP		
F15	12	B85010500000	1	WATER PIPE		
F15	13	B77060200000	2	CLIP		
F15	14	B85010700000	1	WATER PIPE		
F15	15	92221000001	2	CLIP		
F15	16	B85010800000	1	WATER PIPE		
F15	17	92220800002	2	HOSE CLAMP		
F15	18	X35010200001	1	CAP COMP. ,RADIATOR		
F15	19	90190601200	8	HEXAGON FLANGE BOLT(M6*1.0P*12L)		
F15	20	B85010000001	1	RADIATOR ASSY.		
F15	21	B76351000000	1	WATER TANK FOR FAN		
F15	22	B87010206000	1	SAFE HAIRNET COMP.		
F15	23	B87011006500	1	COVER		
F15	24	90190601200	12	HEXAGON FLANGE BOLT(M6*1.0P*12L)		
F15	25	92140600017	2	WASHER		
F15	26	90210602001	2	HEXAGON SCOKET SCREW		
F15	27	90210602001	2	HEXAGON SCOKET SCREW		
F15	28	90190601200	2	HEXAGON FLANGE BOLT(M6*1.0P*12L)		

F15. COOLING SYSTEM					
Figure	Item	Part No.	Q'ty	Part Name	Remarks
F15	29	B750A0200001	1	AUXILIARY COOL TANK. SAFE COVER	
F15	30	92370500003	1	U TYPE SPRING NUT	
F15	31	90150501600	1	CR TRUSS HD TAPPING SCREW (M5*16L)	
F15	32	92140500014	1	WASHER (5.5D*12D*1T)	
F15	33	P1522300000	1	OIL COVER	
F15	34	B75010100000	1	AUXILIARY COOL TANK	
F15	35	B85010600000	1	WATER PIPE	
F15	36	92221000001	2	CLIP	
F15	37	90190601200	1	HEXAGON FLANGE BOLT(M6*1.0P*12L)	
F15	38	B77013500000	1	RUBBER WASHER	
F15	39	B87011200000	2	RUBBER PLUG	

F16. ELECTRIC PARTS					
Figure	Item	Part No.	Q'ty	Part Name	Remarks
F16	1	B85816010000	1	HARNES.S.WIRE ASSY	
F16	1-1	98701201000	1	FUSE(1A)	1A
F16	1-2	98701203000	2	FUSE(3A)	3A
F16	1-3	98701210000	2	FUSE(10A)	10A
F16	1-4	98701215000	3	FUSE(15A)	15A
F16	1-5	98701225000	1	FUSE(25A)	25A
F16	2	B85816100000	1	HARNES.S.WIRE	
F16	3	90190601200	2	HEXAGON FLANGE BOLT(M6*1.0P*12L)	
F16	4	92040600000	2	HEXAGON FLANGE NUT (M6*1.0P)	
F16	5	B85846000000	1	COIL COMP	
F16	6	B85830000000	1	BATTERY	
F16	7	B5583030000	1	BAND.BATTERY	
F16	8	B85830200000	1	BATTERY (+,-) LINE COMP.	
F16	9	B85810000000	1	STARTER RELAY	
F16	10	B85890000000	1	ECU	
F16	11	90190501201	4	HEXAGON FLANGE BOLT (M5*12L)	
F16	12	B85840000000	1	VOL REGULATOR COMP.	
F16	13	90190603000	2	HEXAGON FLANGE BOLT (M6*30L)	
F16	14	ES581200000	5	relay	
F16	15	C1581300000	1	BACK PROTECTIVE EQUIPMENT COMP	
F16	16	B77011700000	1	STARTER RELAY COVER	
F16	17	B5583600000	1	HORN.L	
F16	18	90190601200	3	HEXAGON FLANGE BOLT(M6*1.0P*12L)	
F16	19	P2586011000	1	FLASHER RELAY ASSY	
F16	21	90040601000	3	CR TRUSS HD MACHINE SCREW(M6*10L)	
F16	22	B85510000000	1	SWITCH COMP.	
F16	23	B85520000000	1	MAIN KEY	
F16	24	B85530000000	1	STEERING LOCK	
F16	25	B85213000000	1	FUEL CAP	
F16	26	P255B010000	1	DUMMY KEY	
F16	28	B5583010000	1	CUSHION.BATTERY UNDER	
F16	29	B87011300000	1	RELAY COVER	

F17.		LABELS				
Figure	Item	Part No.	Q'ty	Part Name		Remarks
F17	1	B86010200000	1	START FACEPLATE LABEL		
F17	2	B86010300000	1	LABEL. DIFFERENTIAL		
F17	3	B86010400000	1	BR-500I. LABEL		
F17	4	B86010500000	1	LABEL.BUG RACER		
F17	5	B86030100000	1	WARNING LABEL,GEARBOX		
F17	6	B86030200000	1	WARNING LABEL,RADIATOR		
F17	7	B86030300000	1	LABEL.REAR CARGO RACK		
F17	8	B86010600000	1	SKIDPROOF PAPER		
F17	9	B86010700000	1	FUSE STICKER		
F17	10	B86010800000	1	RELAY STICKER		
F17	11	B86030500000	1	WARRANTY STICKER		
F17	12	B86010100000	1			BR500歐規_96042
F17	13	P1603040000	1			BR500歐規_96042
F17	14	B86030400000	1			BR500歐規_96042
F17	15	B86010900000	1			BR500歐規_96042
F17	16	B86011000000	1			BR500歐規_96042